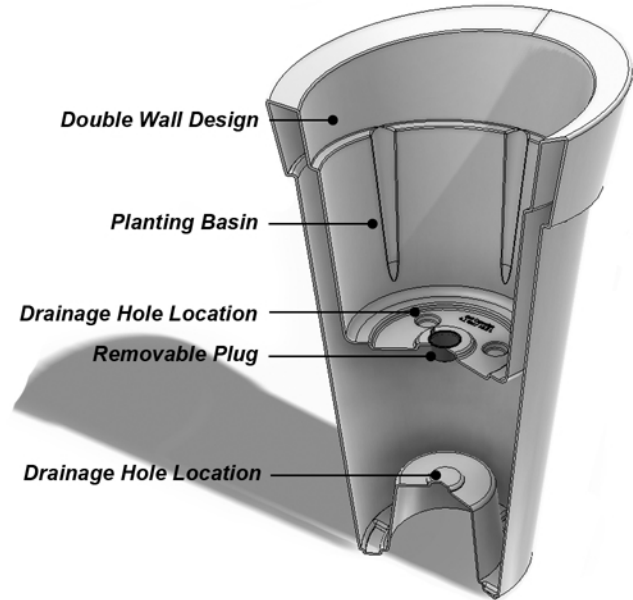


Creston

designer planter

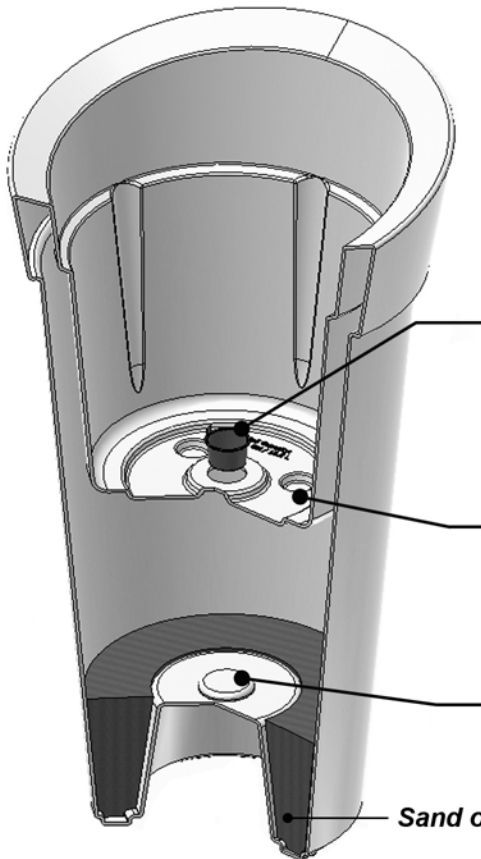


Polyresin Planter
Indoor/Outdoor Use
UV Protected
Shock Resistant



GENERAL INFORMATION:

- Molded from durable, all-weather polyethylene
- Drill drainage holes when using planter outdoors
- For increased stability we recommend filling in the inner cavity with sand or gravel
- Rinse clean with a garden hose; for a deeper clean, use a power washer



TIPS FOR OUTDOOR USE:

STEP 1: To increase stability, remove the center plug and use a funnel to fill the inner cavity with sand. Alternatives include pea gravel or crushed stone.

STEP 2: There are 3 recessed areas in the bottom of the planter basin. Drill a drainage hole in each location using a 1/2 inch drill bit.

STEP 3: Tip the planter over and drill a hole in the bottom of the planter using a 1/2 inch drill bit.



MAYNE
Outdoor Products of Distinction
www.gomayne.com

For customer service inquiries email customerservice@gomayne.com or call toll free at 866-363-8834 (available Monday through Friday, 8am-5pm EST).