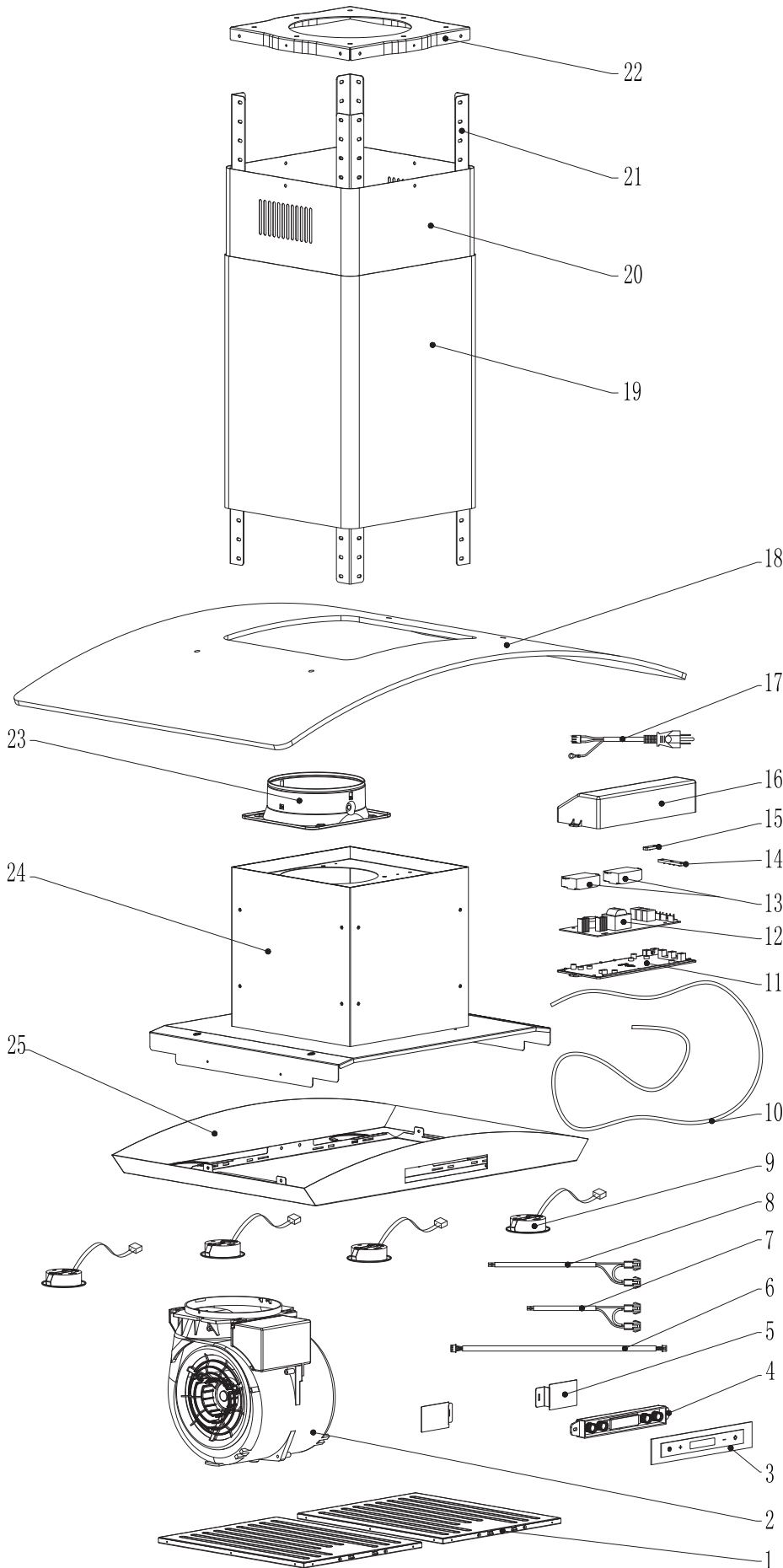


Range Hood Assembly



Number	Part
1	Stainless steel baffle filter
2	Blower assembly
3	Touch switch board
4	Touch switch
5	Touch switch box bracket
6	Switch guide wire
7	Lamp guide wire
8	Lamp guide wire
9	LED puck lights
10	Decorative strip
11	Electrical box base
12	PCB
13	LED puck lights driver
14	3 holes tension disc
15	2 holes tension disc
16	Electrical box cover
17	Plug
18	Tempered glass
19	Lower chimney
20	Upper chimney
21	Hanging bracket
22	Hanging scaffold
23	Metal outlet
24	Blower box
25	Bottom cover