

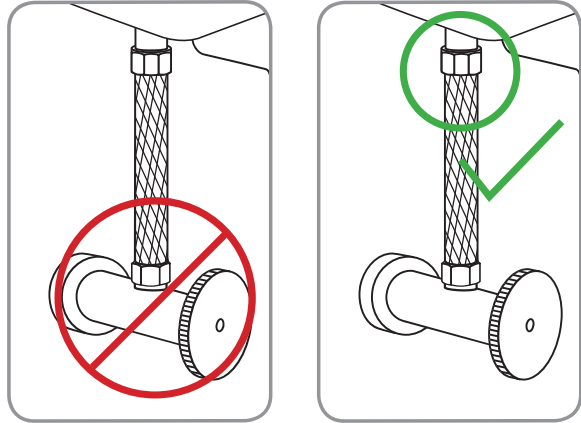
# PRODUCT INSTALLATION

## BEFORE INSTALLATION

### IMPORTANT

Please be advised that the provided T-Valve should be installed at the Fill Valve under the toilet tank, and NOT at the cold water supply coming from the wall.

If you do not have access to the Fill Valve under the toilet tank, contact Brondell Customer Service at 888.542.3355. We may be able to guide you through the process.



Check the size of the hot water supply connection (most likely under the sink/wash basin). This needs to be a 3/8" connection for our T-valve to install.

*Note: if the connection is a 1/2" connection, you will need to purchase the following reducing adapter available online and at many plumbing hardware stores: **Reducing Adapter, 1/2" Female NPT x 3/8" Male Compression.***

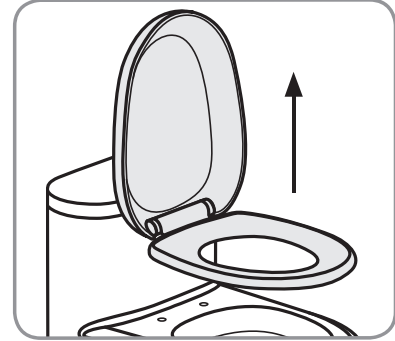
### Check Water Supply Line

Check the water supply line that connects the toilet tank fill valve to the water shutoff valve at the wall. If it is a rigid pipe, you will need to purchase a flexible water supply hose to replace it before installing the SouthSpa. The length of the hose may vary, and the top connection size should be 7/8" Ballcock to connect to the T-valve that you will install under the toilet tank, and the bottom connection will vary (most common are 3/8" and 1/2" female compression).

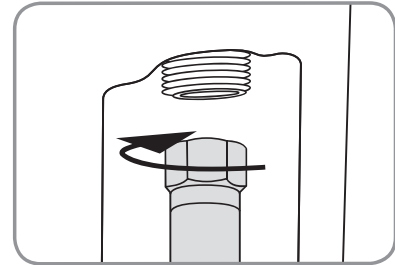
# PRODUCT INSTALLATION (cont.)

## CONNECTING THE COLD WATER SUPPLY

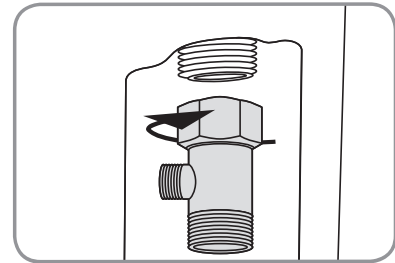
1. Remove existing toilet seat
  - a. Lift hinge covers and use flathead or Phillips head screwdriver to remove the mounting bolts. Alternatively, you may need to loosen mounting bolts underneath the seat.
  - b. Remove the toilet seat and set the seat, mounting bolts and hardware aside.
2. Turn off water supply valve and flush toilet
  - a. Turn off water supply at the wall to stop flow of water.
  - b. Flush toilet and hold down handle to completely empty toilet tank.
  - c. Disconnect water supply hose from the fill valve under the toilet tank.
3. Connect 7/8" T-Valve to Water Supply Line and Fill Valve Under Toilet Tank.
  - a. Install the 7/8" T-valve with one or both of the rubber washers to the incoming water connection on the bottom of your toilet tank.
  - b. Connect the cold water supply line coming from the wall to the bottom of the T-valve.



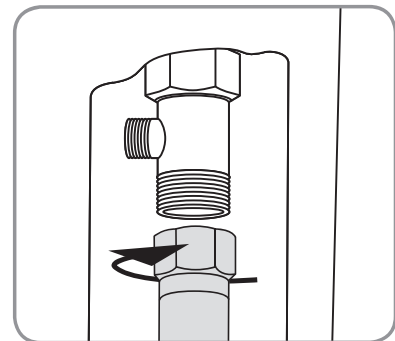
Step 1b



Step 2c



Step 3a

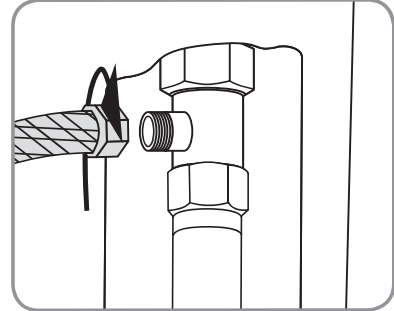


Step 3b

---

## CONNECTING THE COLD WATER SUPPLY (cont.)

4. Connect Bidet Hose to T-Valve
  - a. Connect one end of the braided metal bidet hose to the remaining open side of the installed T-valve.



Step 4a

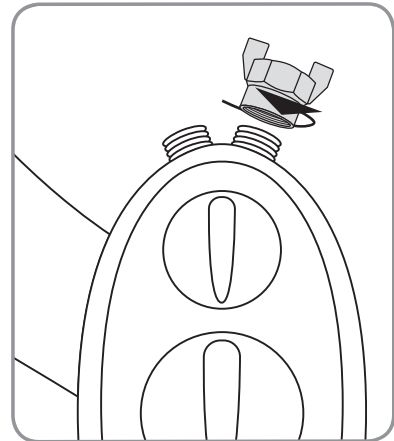
### **IMPORTANT**

*If you are only connecting the cold water supply, you must install the **Hot Water Supply Cap** (provided - see Page 3) over the hot water connection on your SouthSpa (see diagram).*

Failure to connect or cap the hot water supply will result in leaking during use.

After installing hot water cap, proceed to "Installing the Bidet Attachment" on Page 10.

If you wish to also connect your hot water supply, then proceed to "Connecting the Hot Water Supply" on Page 8.



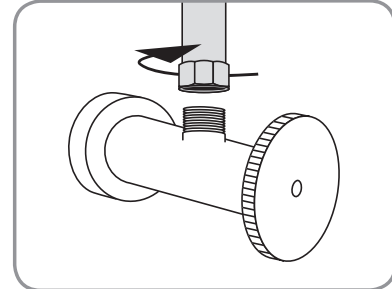
# PRODUCT INSTALLATION (cont.)

## CONNECTING THE HOT WATER SUPPLY

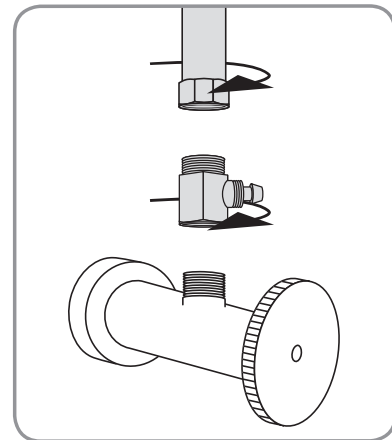
1. Connect the hot water supply
  - a. Locate the hot water supply line in your bathroom under your sink/washbasin and turn the water supply valve all the way off.
  - b. Drain the hot water line by turning on the sink tap on the hot setting until no more water comes out.
  - c. Disconnect hot water supply hose to sink from shut off valve. You may have to use a 3/8" compatible wrench or a similar tool (not supplied).

*Note: there may be some residual water in the hose, use a small container or towel to catch any residual water.*

2. Install the Hot Water 3/8" T-valve and the small rubber washers as needed onto the hot water shut off valve under the sink.
3. Reconnect hot water supply line to open end (top) of T-valve.



Step 1c



Steps 2 and 3

## CONNECTING THE HOT WATER SUPPLY (cont.)

4. If it hasn't been removed already, unscrew the Pressure Cap covering the Pressure Connector.

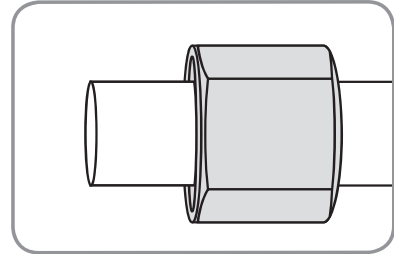
a. Slide the Pressure Cap over the open end of the of Hot Water Flex Tubing with the inside threads facing towards the open end.

b. Push the Hot Water Flex Tubing over the Pressure Connector.

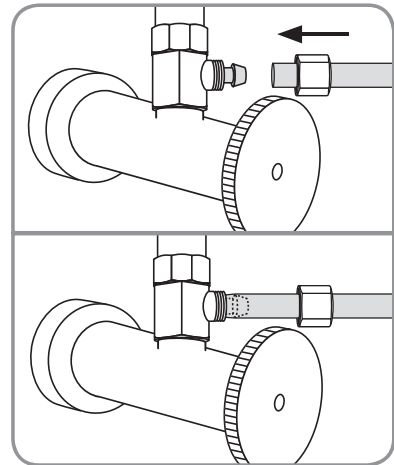
**IMPORTANT:** Be sure to slide the Hot Water Flex Tubing over the Pressure Connector until the tubing slides past the “lip” of the pressure connector and it cannot go any further.

c. Slide the Pressure Cap down until the cap meets the Pressure Connector. Screw the Cap onto the T-Valve until secure and tight.

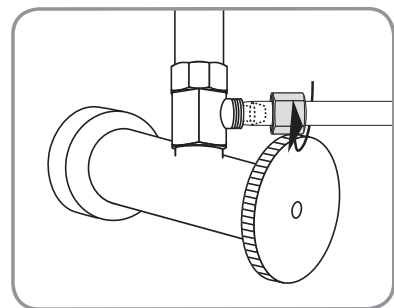
**Caution:** Do not over-tighten the Pressure Cap. You will risk damaging the tubing.



Step 4a



Step 4b



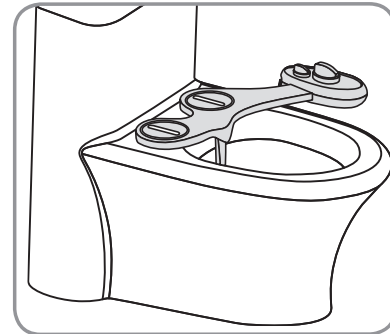
Step 4c

# PRODUCT INSTALLATION (cont.)

## INSTALLING THE BIDET ATTACHMENT

### 1. Install Bidet Attachment on Toilet

- a. Place bidet attachment on the toilet so the nozzle is as close to the back of the toilet bowl as it will go. This will vary by toilet.
- b. Make sure the adjustable brackets line up with the holes in the toilet fixture. You may need to rotate the adjustable brackets to line up with the bolt holes properly.
- c. Replace the toilet seat on top of bidet attachment and secure using original toilet seat hardware. Make sure to tighten so that the bidet attachment and seat do not move.

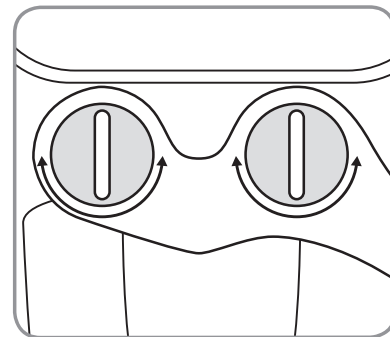


Step 1a

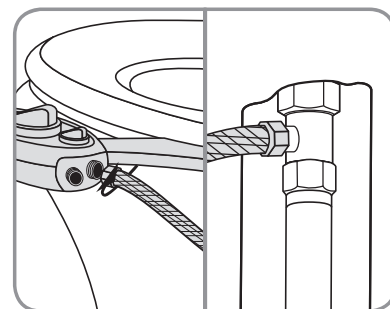
### 2. Connect Cold Water Bidet Hose to Bidet Attachment

- a. Connect the open end of bidet hose to the Cold connection on the back of the bidet attachment.

*Note: If you have already installed the Hot Water Supply Cap over the hot water supply on your SouthSpa, Skip to Step 4 on Page 11. Otherwise continue with the installation at the top of Page 11.*



Step 1b



Step 2a

## INSTALLING THE BIDET ATTACHMENT (cont.)

### 3. Connect Hot Water Supply to Bidet Attachment

- a. Slide the Pressure Cap over the open end of the of Hot Water Flex Tubing with the inside threads facing towards the open end.
- b. Push the Pressure Connector into the open end of the of Hot Water Flex Tubing with the washer facing out.

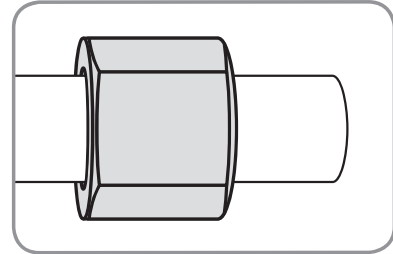
**IMPORTANT:** Be sure to slide the Hot Water Flex Tubing over the Pressure Connector until the tubing slides past the “lip” of the pressure connector and it cannot go any further.

- c. Hold the Pressure Connector up against the hot water inlet on the bidet attachment. Slide the Pressure Cap along the tubing and screw the Cap onto the hot water inlet until the Pressure Connector is secure.

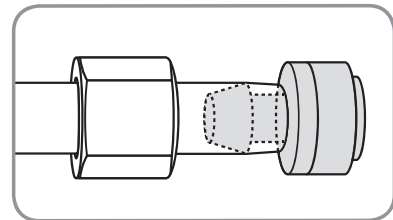
### 4. Turn on Water Supply & Check for Leaks

- a. Open the hot and cold water supply valves slowly and check for leaks.
- b. Wait 5-10 minutes, check again and if there are no leaks, continue.

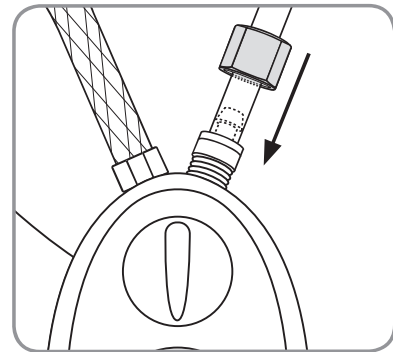
*Note: If there is any leaking, check all rubber washers and make sure all water connections are tight and secure. If necessary, you can use plumbers tape for any leaking connections.*



Step 3a



Step 3b



Step 3c