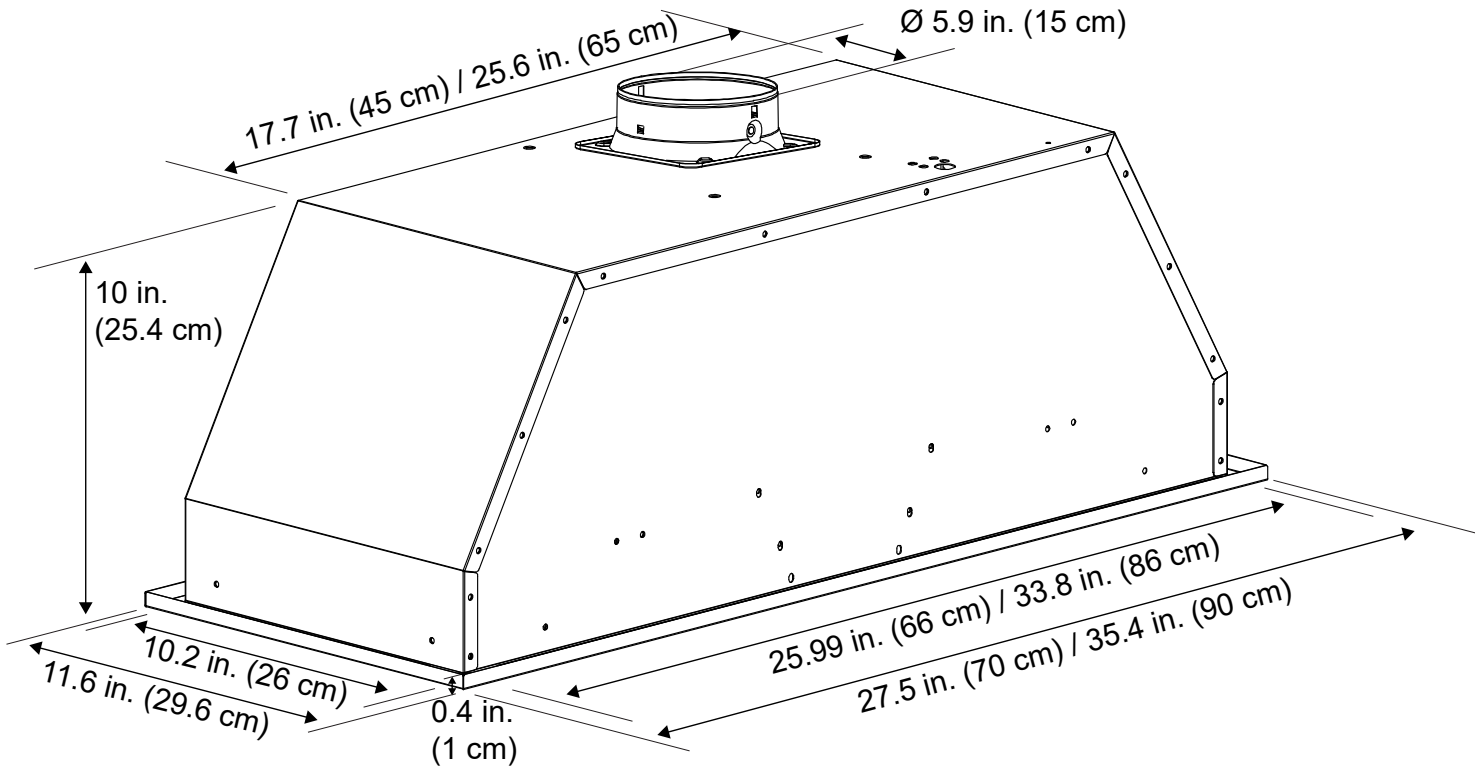


Range Hood Dimensions



Specifications

Body Design	Stainless Steel
Power Rating	120 V / 60 Hz (cULus Certified)
Total Input Power	250 W (210 W + 2 x 20 W)
Motor Input Power	210 W
Amperage	2.2 A
Speed Control Levels	3 Speeds
Interference Protection	Radio Frequency Interference Protected
Motors	Single Motor
Control	Electronic push button
Filtration	Decorative Filter
Illumination	2 x 20 W 120 V Halogen MR16 GU10
Venting Size	Top, 6 inches (15.3 cm) Round

Operation



Stop



Low
Speed



Medium
Speed







High
Speed



Light

Power Settings

- 1** Press the button  once and the motor starts to operate at Low speed.
- 2** Press the button  and the motor will reach Medium speed.
- 3** Press the button  the motor will reach High speed.
- 4** Press the button  to turn the fan off.

Lights

- 1** Press the light button  to turn halogen lights on and off.