

SKGLK
Template and installation instructions

RFQSKGLK

Warning:

Check door profile prior to installation

You will require a profile wide enough for proper installation.

With the door closed, the minimum inside door profile width is 1-7/8" from the edge of the door frame (glass side) to the edge of the door jamb or metal door frame (z-bar), which ever is narrower.

The minimum outside door profile width is 2-3/8" from the edge of the door frame (glass side) to the edge of the door jamb or metal door frame Z-bar), which ever is narrower.

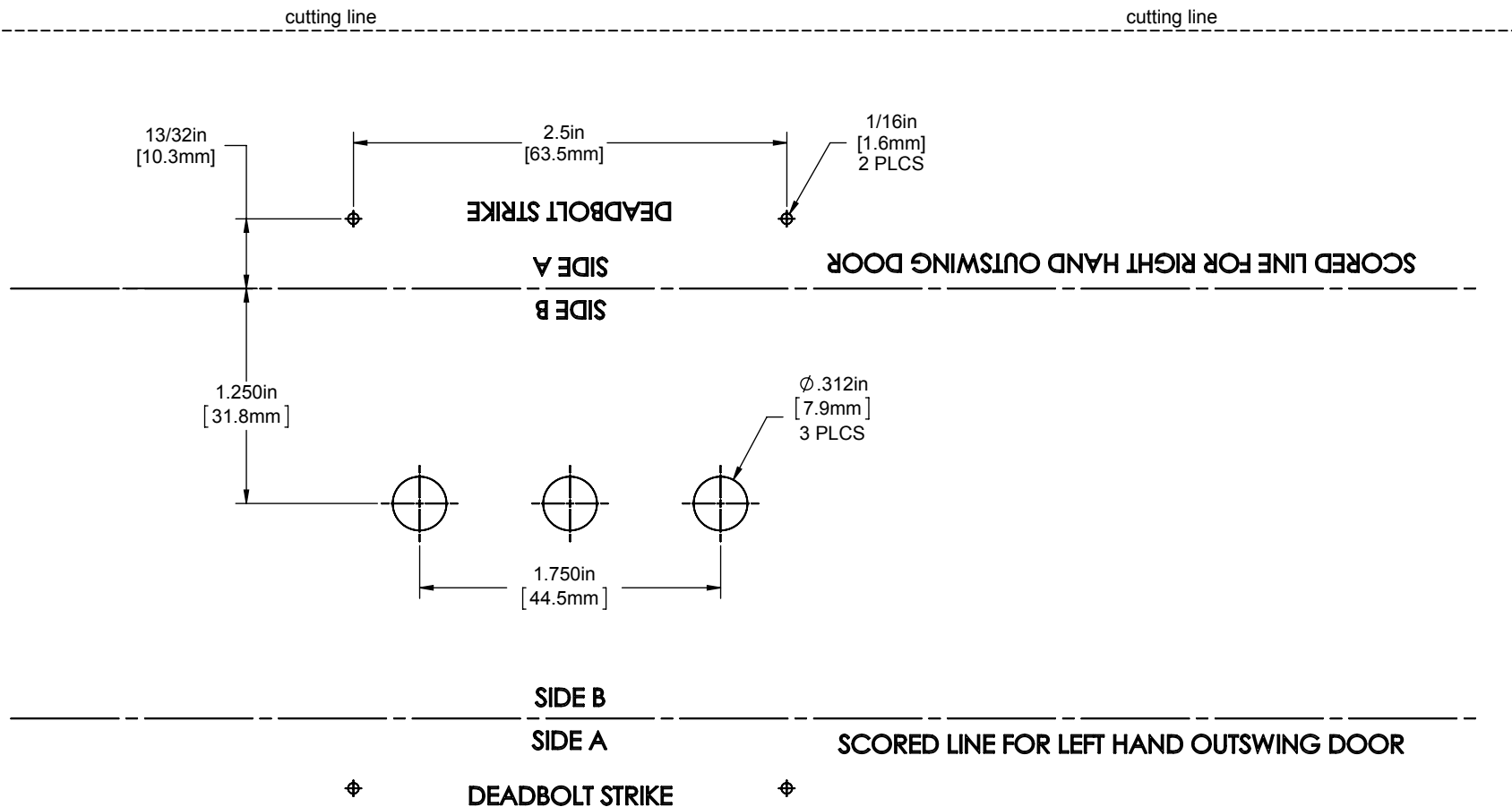
The above warning does not apply to other ways of installations (such as use Z-bar as strike, mortise cutout in wood, etc...).

Determine if your storm door is hinged right or hinge left for proper use of drilling template

From outside of door, looking in, if the hinges are on your left, your door is left handed.

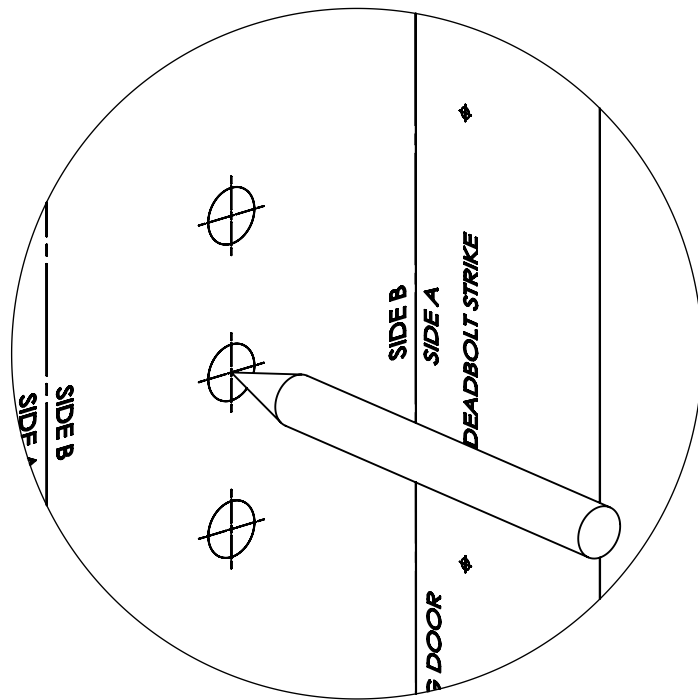
If the hinges are on the right, it is a right handed door.

Ensure that the inside paddle does not interfere with the prime door lock.

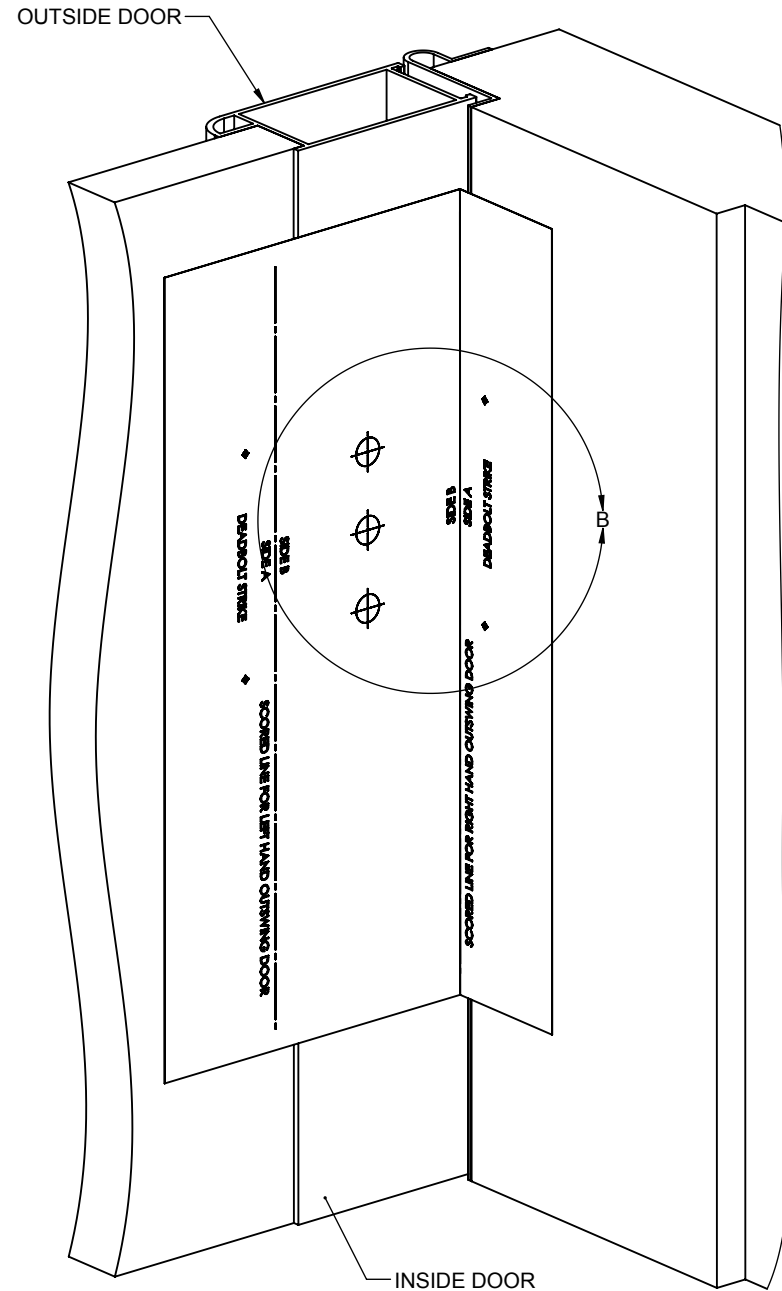


Template Placement and Drilling Instructions

1. Fold the template on the dotted line to 90° according to the handedness (left or right).
2. With the door in closed position, place folded template on inside of door so that the SIDE A is against the jamb or metal z-bar, which ever projects out farther; and SIDE B is on the inside surface of door.
3. Use a center punch to mark the position of 3 holes on the inside surface of door on SIDE B. Mark the position of 2 holes on the jamb on SIDE A (for strikes).
4. Using a 5/16" drill bit, drill 3 holes straight through door from SIDE B.
5. Using a 1/16" drill bit, drill 2 pilot holes with depth of 1" on the jamb on SIDE A.

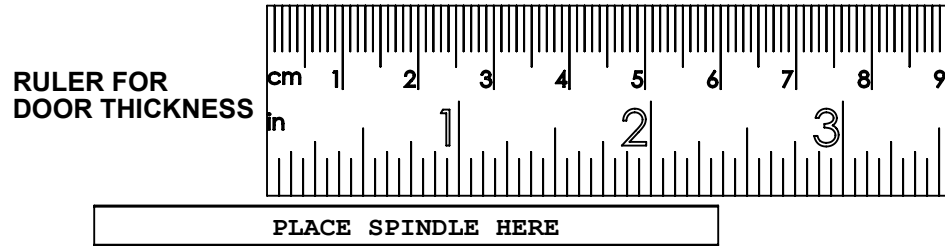


DETAIL B



SPINDLE AND SCREWS SELECTION CHART

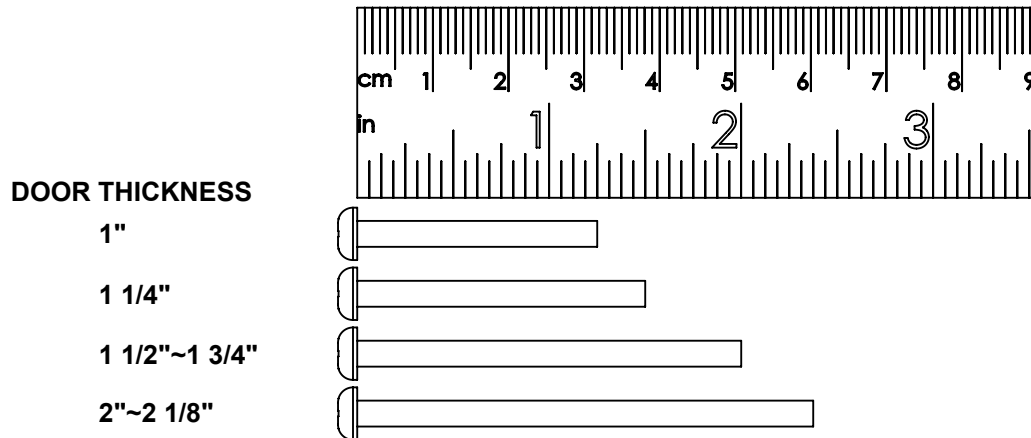
KEY LOCK SPINDLE PREPARATION



1. Print this sheet using 1:1 scale.
2. Over lay flat spindle against the image.
3. Mark door thickness on the spindle.
4. Cut off beyond the mark line.

Now the key lock flat spindle is ready for installation.

DEADBOLT SCREW SELECTION

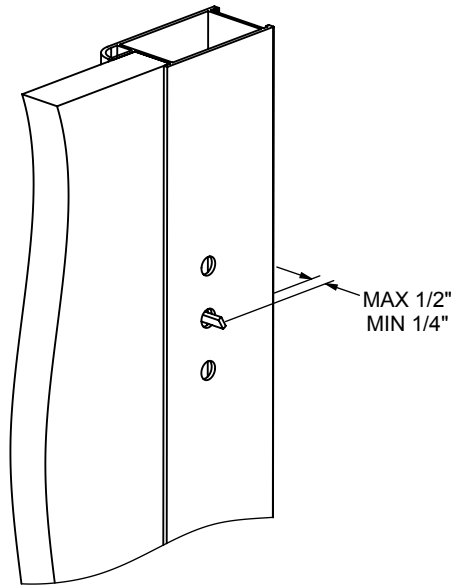
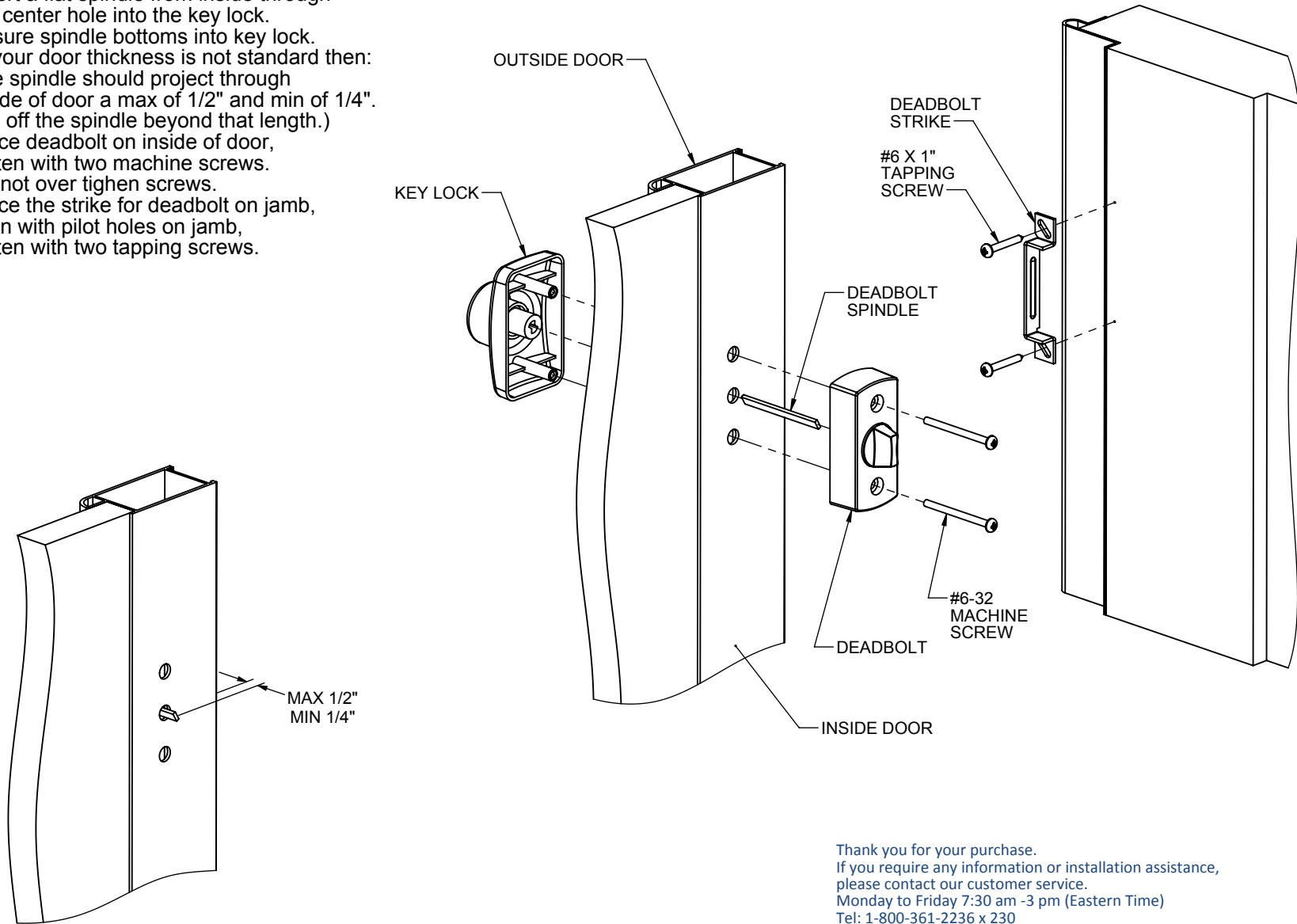


1. Print out this sheet using 1:1 scale.
2. Over lay screws on top of the image.
3. Select the screws that matche your door thickness.

Now the deadbolt screws are selected and ready for installation.

Key Lock & Deadbolt Installation

1. Place key lock on outside of door.
2. Insert a flat spindle from inside through the center hole into the key lock. Ensure spindle bottoms into key lock. (If your door thickness is not standard then: The spindle should project through inside of door a max of 1/2" and min of 1/4". Cut off the spindle beyond that length.)
3. Place deadbolt on inside of door, fasten with two machine screws. Do not over tighten screws.
4. Place the strike for deadbolt on jamb, align with pilot holes on jamb, fasten with two tapping screws.



DEADBOLT SPINDLE PROJECTION

Thank you for your purchase.
If you require any information or installation assistance,
please contact our customer service.
Monday to Friday 7:30 am -3 pm (Eastern Time)
Tel: 1-800-361-2236 x 230
e-mail: info@idealinc.com
Updated instructions (if applicable) can be found at www.idealinc.com

IDEAL SECURITY INC.
LASALLE, QUEBEC, CANADA
CORAOPOLIS, PA., USA