

VIGO INDUSTRIES INSTALLATION GUIDE FOR SHOWER ENCLOSURE (MODEL VG6073)

SAFETY PRECAUTIONS

This Installation Guide uses the following symbols to indicate important information. Always observe the instructions indicated by these symbols.

WARNING

Instructions that, if ignored, could result in death or serious personal injury caused by incorrect handling or installation of the product. These instructions must be observed for safe installation.

IMPORTANT

Maintenance and other important non-personal injury and non-material damage instructions or statements that should be observed.

It is highly advised to dry fit the unit prior to any installation.

*VIGO reserves the right to modify/update all hardware and glass components based on bettering the product for the end user's experience. If you have any questions contact VIGO Tech Support at 1-866-591-7792.

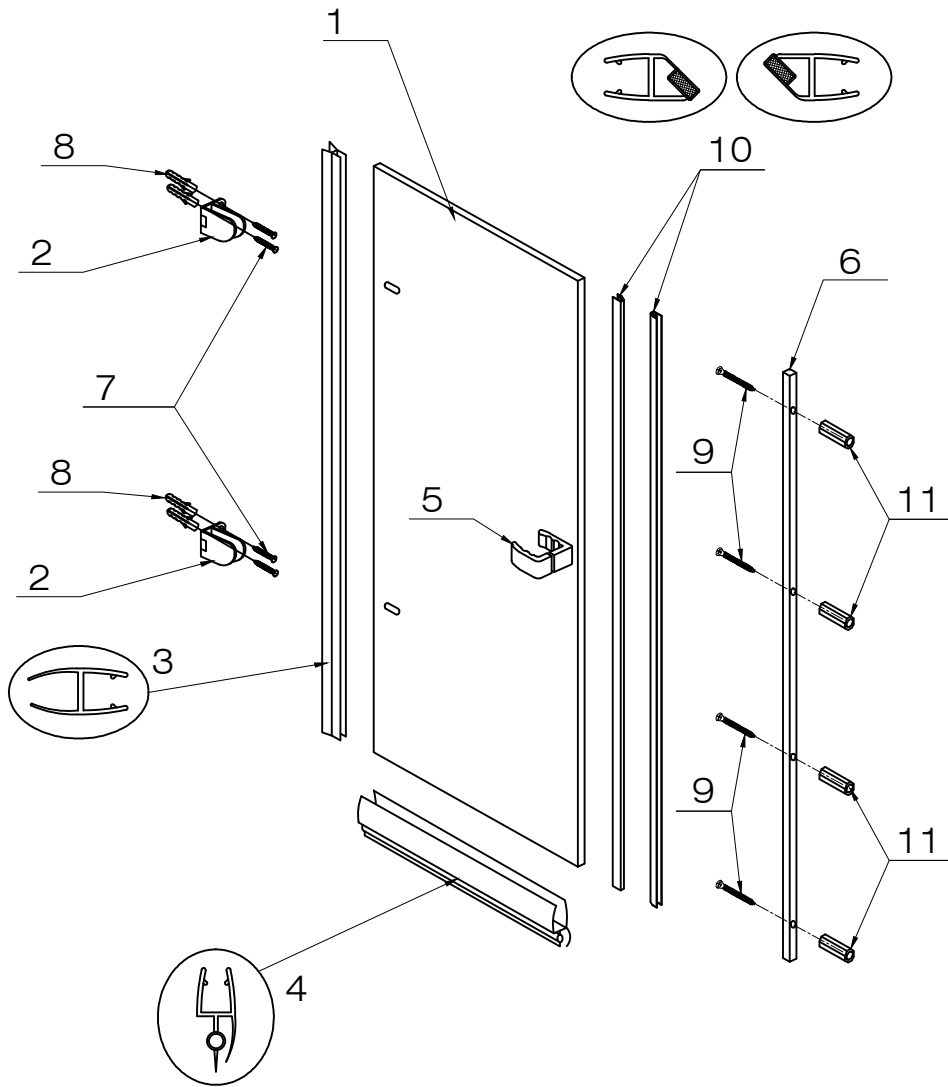
MODEL VG6073 TEMPO

INSTALLATION INSTRUCTIONS FOR SHOWER DOOR

PLEASE READ INSTRUCTIONS BEFORE PROCEEDING

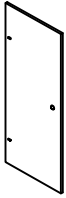
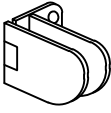
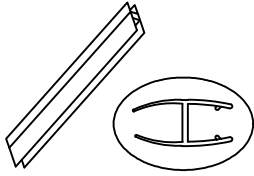
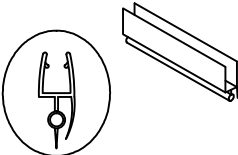



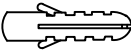

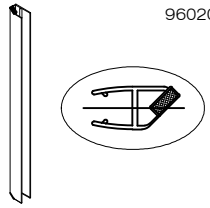
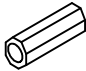

Parts List

- 1. Door (1pc)
- 2. Hinge (2pc)
- 3. Split wall side seal strip (1pc)
- 4. Door bottom seal strip (1pc + 1pc is extra)
- 5. Handle assembly (1pc)
- 6. Vertical track (1pc)
- 7. Hex screw 1 5/8" (4pc)
- 8. White plastic anchor (4pc)
- 9. Phillips screw 1 1/4" (4pc)
- 10. Door magnetic seal strip (2pc)
- 11. Green plastic anchor (4pc)
- 12. Screw covers (8pc)

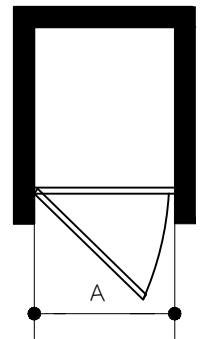


GLASS THICKNESS: 8mm / 5/16"

NOTE: INSTALLATION MUST BE DONE BY A QUALIFIED, LICENSED CONTRACTOR.

<p>1. DOOR</p> <p>97028-24 97028-26 97028-28 97028-30</p> 	<p>2. HINGE ASSEMBLY</p> <p>98072</p> 	<p>3. SPLIT WALL SIDE SEAL STRIP</p> <p>96022</p> 	<p>4. DOOR BOTTOM SEAL STRIP</p> <p>96018</p> 	<p>5. DOOR HANDLE</p> <p>98073</p> 
<p>6. VERTICAL TRACK</p> <p>98074</p> 	<p>7. HEX SCREW 1 5/8"</p> <p>98039</p> 	<p>8. WHITE PLASTIC ANCHOR</p> <p>98038</p> 	<p>9. PHILLIPS SCREW 1 1/4"</p> <p>98077ST</p> 	<p>10. DOOR MAGNETIC SEAL STRIP</p> <p>96020</p> 
<p>11. GREEN PLASTIC ANCHOR</p> <p>98037</p> 	<p>12. SCREW COVER</p> <p>98040</p> 			

MODEL	DIMENSION "A"	HEIGHT*	#1- DOOR (97028)
24X70	24" - 24 1/2"	70 5/8"	22 1/4" X 70"
26X70	26" - 26 1/2"	70 5/8"	24 1/4" X 70"
28X70	28" - 28 1/2"	70 5/8"	26 1/4" X 70"
30X70	30" - 30 1/2"	70 5/8"	28 1/4" X 70"



⊘ Product lines may change, contact your Vigo representative at 1-866-591-7792 or visit our website at www.vigoindustries.com for the most up to date product line information.

⚠ WARNING

WE STRONGLY RECOMMEND THAT A LICENSED PROFESSIONAL INSTALL THIS SHOWER CABIN AND INCLUDE THE ASSISTANCE OF A SECOND PERSON TO INSTALL THE DOOR UNIT.

INSTALLATION OF THE SHOWER DOORS BY AN INEXPERIENCED PERSON MAY RESULT IN GLASS BREAKAGE AND, CONSEQUENTLY, CAUSE PERSONAL INJURY OR DEATH.

- Handle fragile items with care to prevent injury or material damage.
- Glass on panels and doors is tempered glass and must never be cut to prevent personal injury.
- Always rest glass on a level surface

BEFORE STARTING

Compare items on your invoice with what you have received. Carefully review the Parts List on page 2. If any items are missing contact Vigo Industries at 1-866-591-7792. Please check our website at www.vigoindustries.com for additional information or instructional videos.

REQUIRED TOOLS

- Square and/or Phillips #1 and #2 screwdriver
- Flat head screwdriver
- Electric drill plus 1/8", 5/16", 1/4" and 3/16" drill bits (depending on wall)
- Level
- Measuring tape
- Pencil (non-permanent)
- Clear silicone caulking
- Utility knife
- Shims (not provided)

⊘ IMPORTANT

- Fiberglass, acrylic or sheetrock construction might not be sufficiently strong enough to support the shower door enclosure. You should use the wood framing from behind the face edge of the stall to provide a secure mounting to the door. Apply a bead of silicone between the walls and base of the stall.
- For optimum performance, you should install the shower door perfectly level on a level surface.
- When installing use heavy duty gloves.
- FOR THE MATTE GLASS MODELS: Oil secretions from skin will leave transparent spots on the matte side of the glass. Use a degreasing, non-abrasive cleaner to remove these secretions. The same will happen if you get silicone on the matte glass. Use a silicone remover to remove these stains.

IMPORTANT:

THE CLEAR GLASS MODEL HAS A REVERSIBLE DOOR AND CAN BE INSTALLED TO THE RIGHT OR LEFT SIDE. (SEE CONFIGURATION DIAGRAM BELOW)

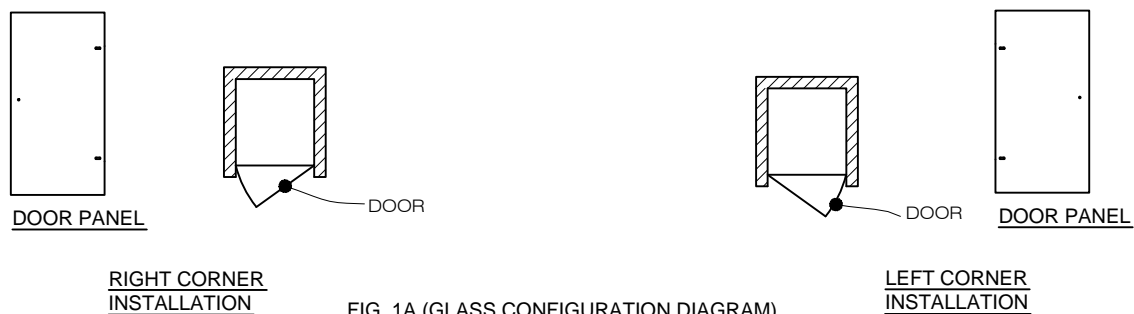


FIG. 1A (GLASS CONFIGURATION DIAGRAM)

MODEL VG6073

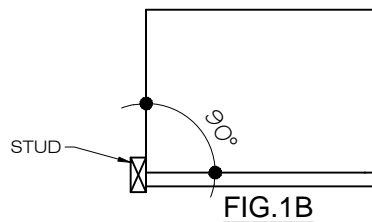
PREPARATION STEPS TO FOLLOW BEFORE INSTALLATION

1. Remove the plastic layer from the base border (if needed). Do NOT remove the plastic layer off the plastic platform of the base/tub.
2. Properly apply silicone to the wall and base joints.
3. Measure your opening to determine if your unit will fit properly. See the chart below to determine the dimensions.

MODEL	OPENING DIMENSION
24X70	24" - 24 1/2"
26X70	26" - 26 1/2"
28X70	28" - 28 1/2"
30X70	30" - 30 1/2"

⊘ IMPORTANT

- Ensure that there is sufficient structural support behind the shower wall to hold the weight of the shower door. If there is insufficient support, then reinforce the shower walls with wooden studs prior to shower door installation. [SEE FIG.1B]



⚠ CAUTION

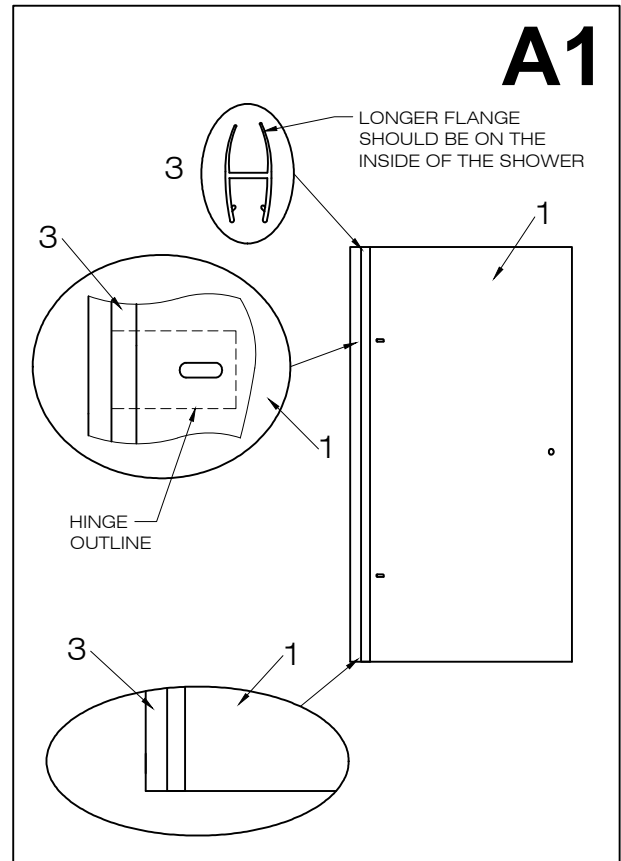
- GASKETS NEED TO BE IN BETWEEN ALL GLASS AND METAL CONTACT. FAILURE TO DO SO CAN LEAD TO BREAKAGE AND POTENTIAL BODILY HARM.

INSTALLATION STEPS

A. INSTALLING THE SPLIT WALL SIDE SEAL STRIP

1. Clean all glass panel edges receiving seal strips with rubbing alcohol. Cut and install the seal strip (#3) according to the seal strip diagram, making sure that the longer of the flanges is on the inside of the shower.

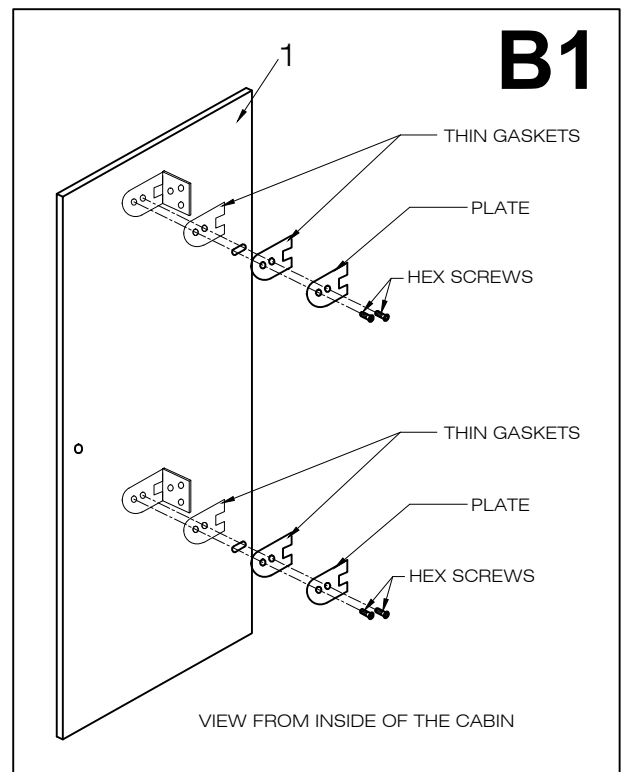
NOTE: If the seal strips are not flat, use a hair dryer to apply minimal heat and press the seal strip back into position.



B. HINGE INSTALLATION

1. Clean the glass surface where the hinges (#2) are to be installed with rubbing alcohol. Position hinges on the door glass panel (#1). Place gaskets on each side of the door glass panel. Screw the hinges to the door glass panel with the hex key (supplied).

⚠ There is a 1/2" adjustment in the glass holes where the hinges are installed. You may need to adjust your hinges more than once to close your unit opening properly.

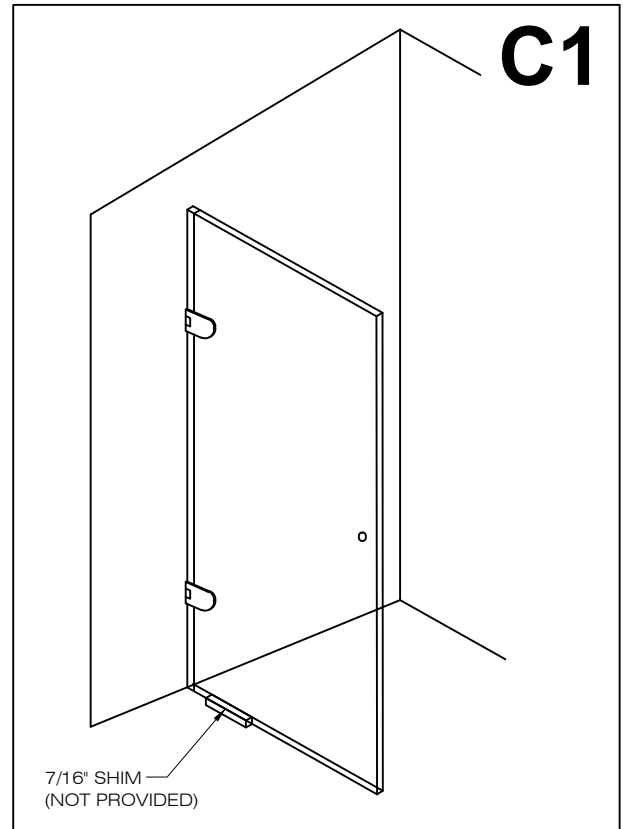


C. INSTALLING THE DOOR

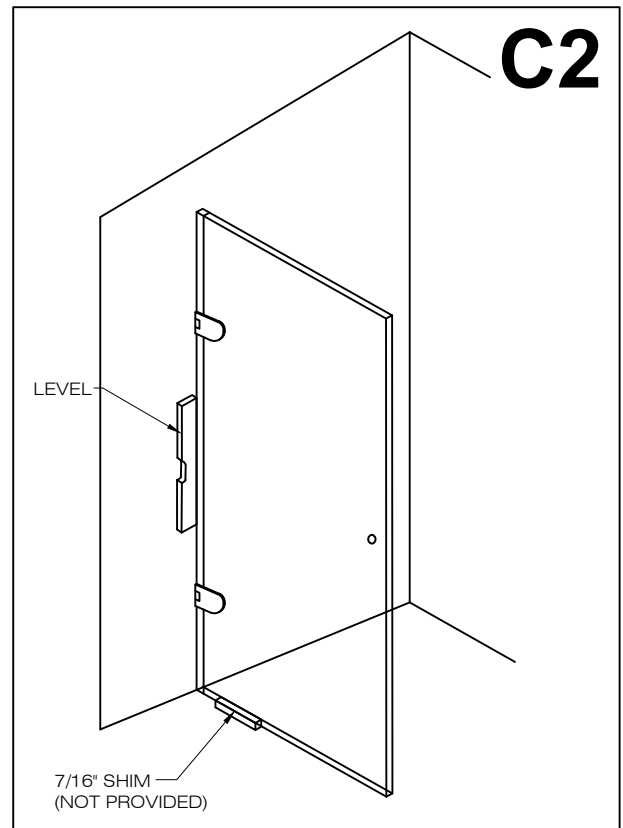
⚠ WARNING

DOOR PANEL INSTALLATION REQUIRES TWO OR MORE PEOPLE TO ASSIST

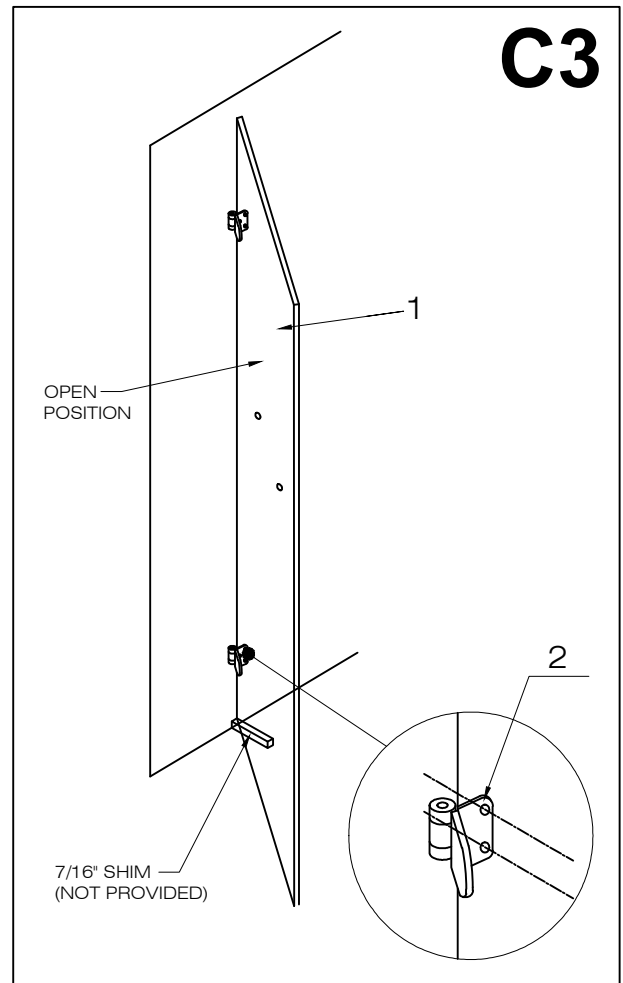
1. Place the door (#1) on the shims raising the door up 7/16" to accommodate the bottom door seal strip.



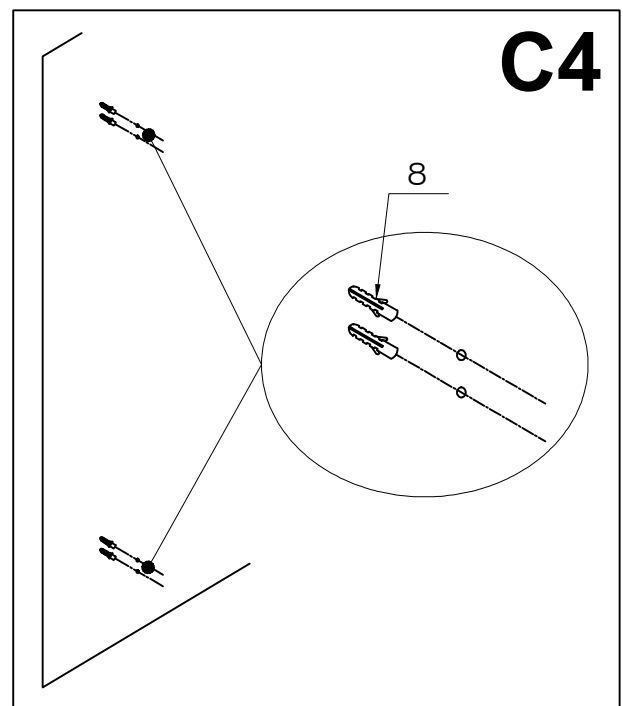
2. Align the door correctly using a level.



3. Hold the door in the open position and mark two (2) holes on the wall for the mounting screws for each hinge.

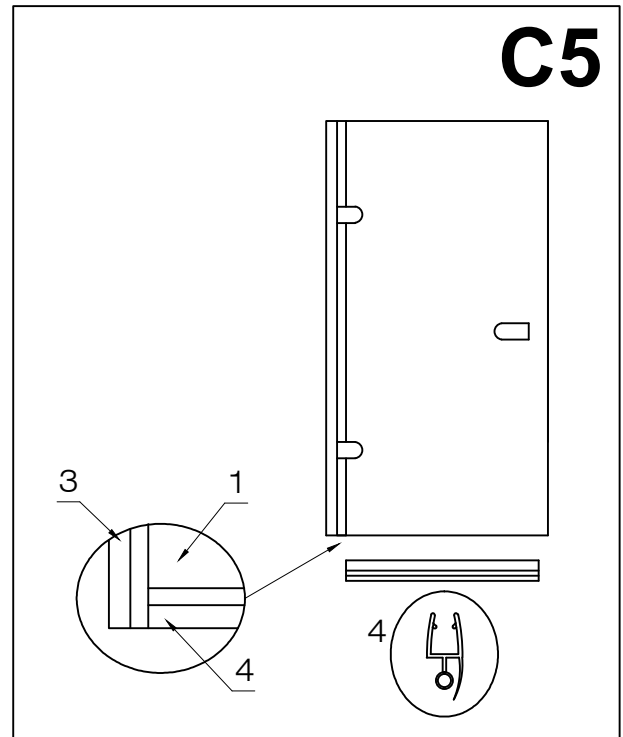


4. Remove the door and drill holes into the wall where marked. Place plastic anchors (#8) inside the holes. **⚠ Not necessary if installing into studs. Studs are the preferred means of installation, anchors can pull out of the wall causing property damage and bodily harm.**

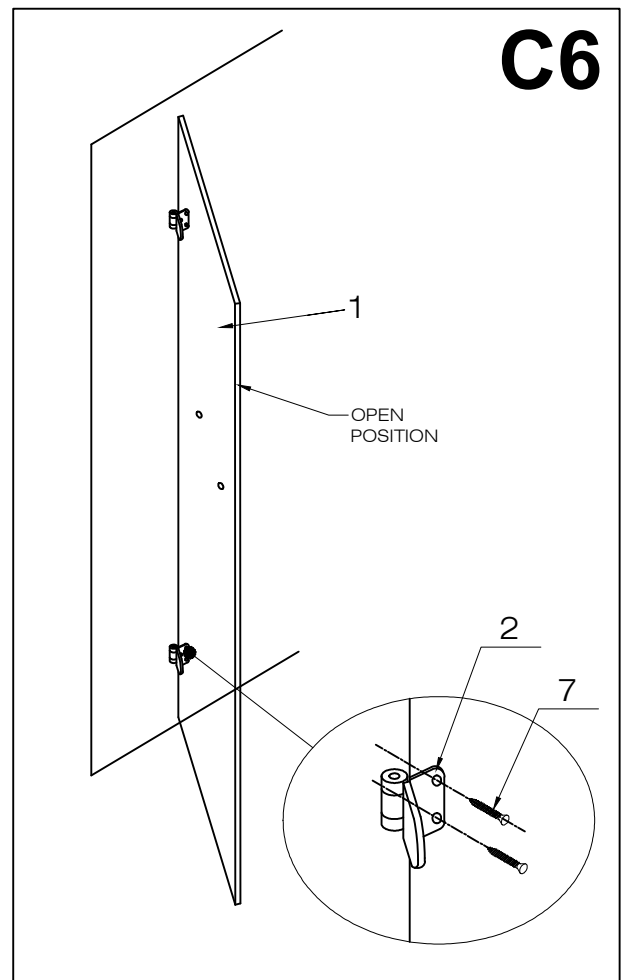


- Clean the door glass panel (#1) edges where the door bottom seal strip (#4) is to be installed with rubbing alcohol. The door bottom seal strip (#4) will have to be fit and cut to the proper size. Verify that the lip of the seal strip faces toward the inside of the shower cabin before seal strip installation. Install the seal strip according to the diagram.

NOTE: If the seal strips are not flat, use a hair dryer to apply minimal heat and press the seal strip back into position.



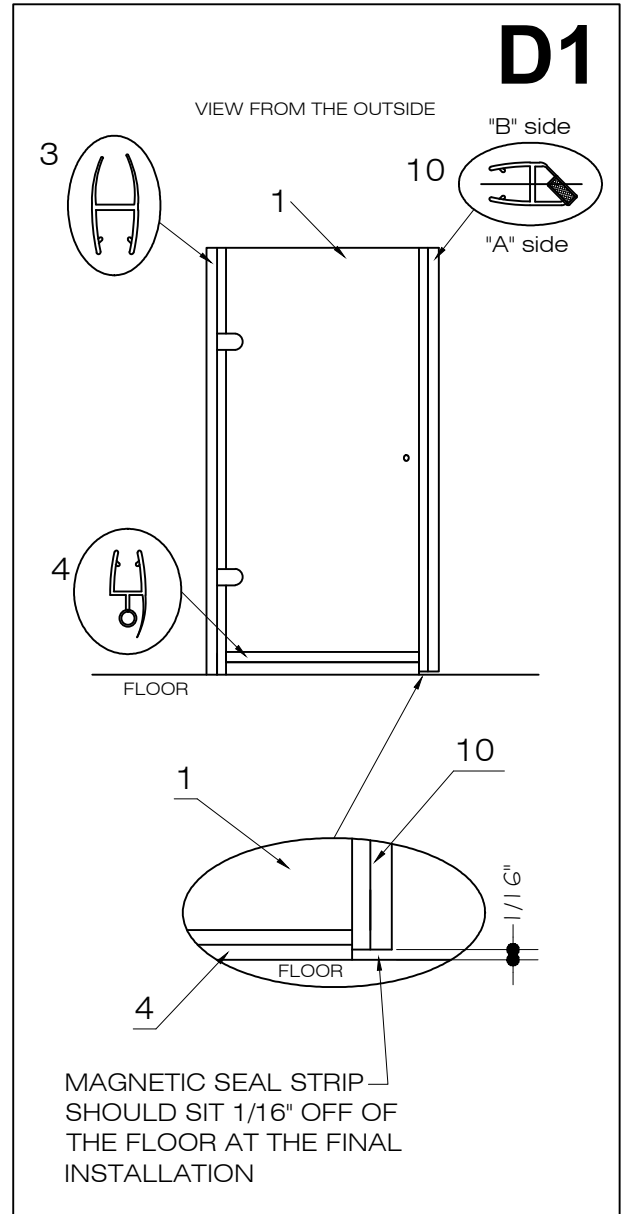
- Replace the door (#1) back into place in the open position. Screw the door securely to the wall with 1 5/8" screws (#7). **⚠ One installer will need to hold the door in place while the other installer screws the hinges to the wall. Make sure not to rest the bottom door seal strip on the curb.**



D. INSTALLING THE MAGNETIC SIDE SEAL STRIP

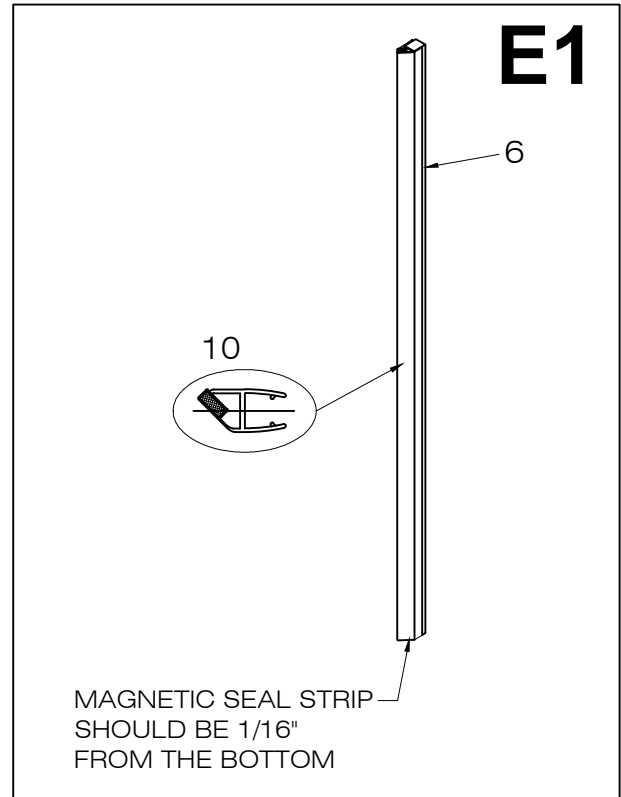
1. Clean all glass panel edges receiving seal strips with rubbing alcohol. Install the seal strip (#10) according to seal strip diagram. The seal strip should rest 1/16" off of the floor. Be aware that the door magnetic seal strip (#10) should have the "A" side facing out.

NOTE: If the seal strips are not flat, use a hair dryer to apply minimal heat and press the seal strip back into position.

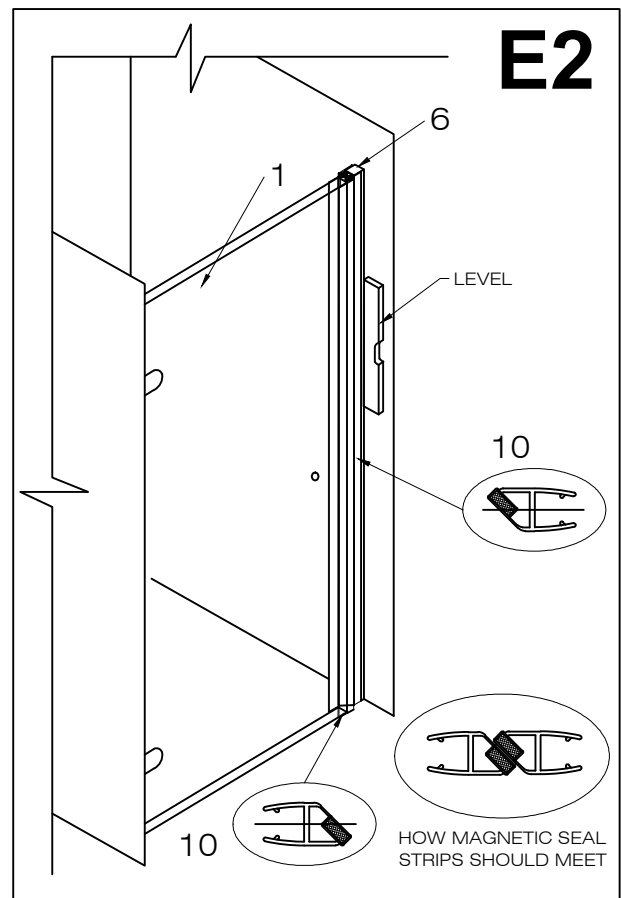


E. VERTICAL TRACK INSTALLATION

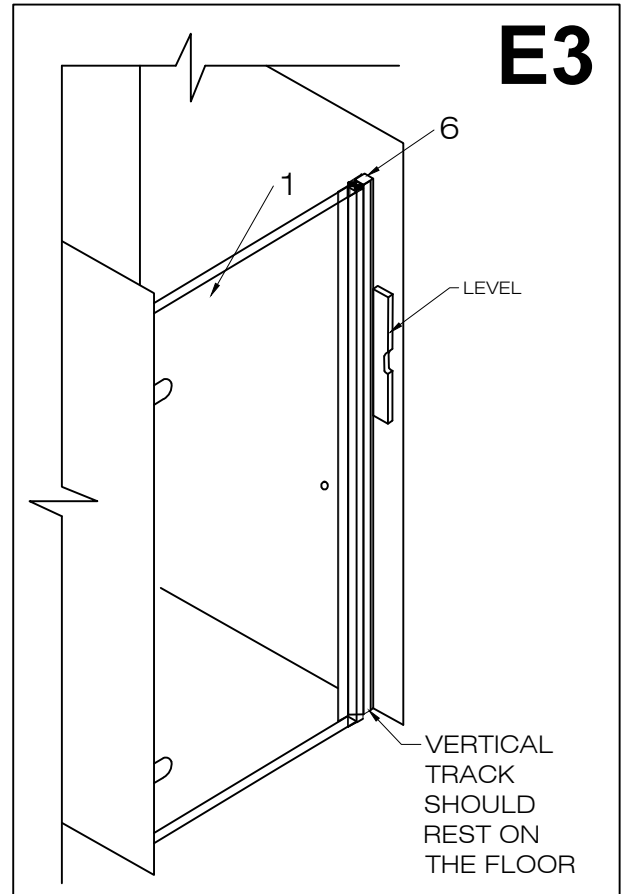
1. Install the door magnetic seal strip (#10) to the vertical track (#6) leaving a 1/16" gap at the bottom. [SEE FIG.6] The vertical track (#6) and the door magnetic seal strip (#10) are the same length.



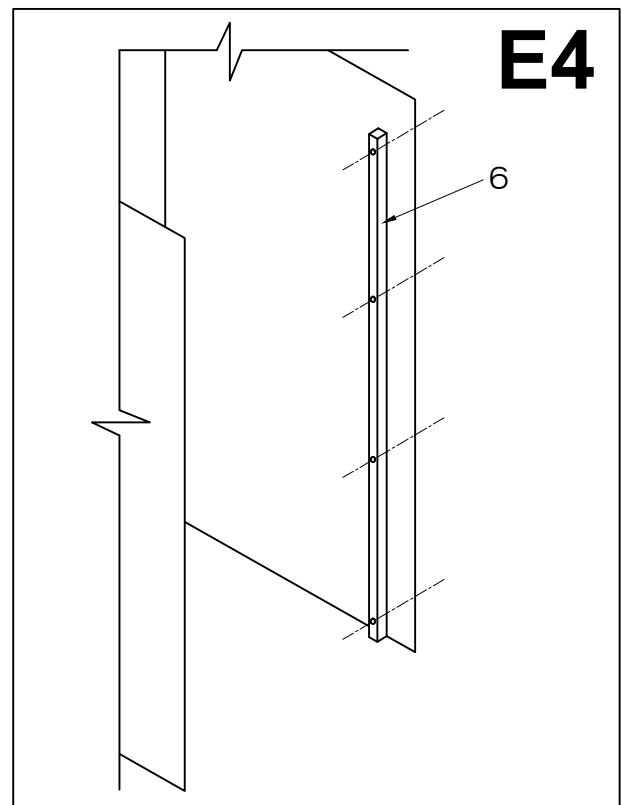
2. Attach the door magnetic seal strips (#10) to each other and then close the door, making sure the door is on a level plain, keeping the walls and opening at a perfect 90° angle.



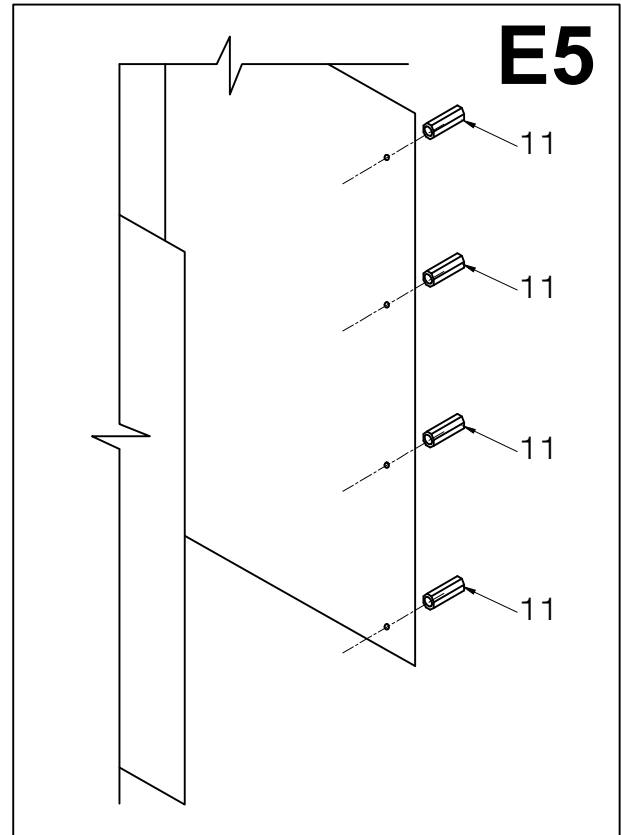
3. Mark the wall on both sides of the vertical track (#6). The vertical track should be installed with the bottom resting on the floor



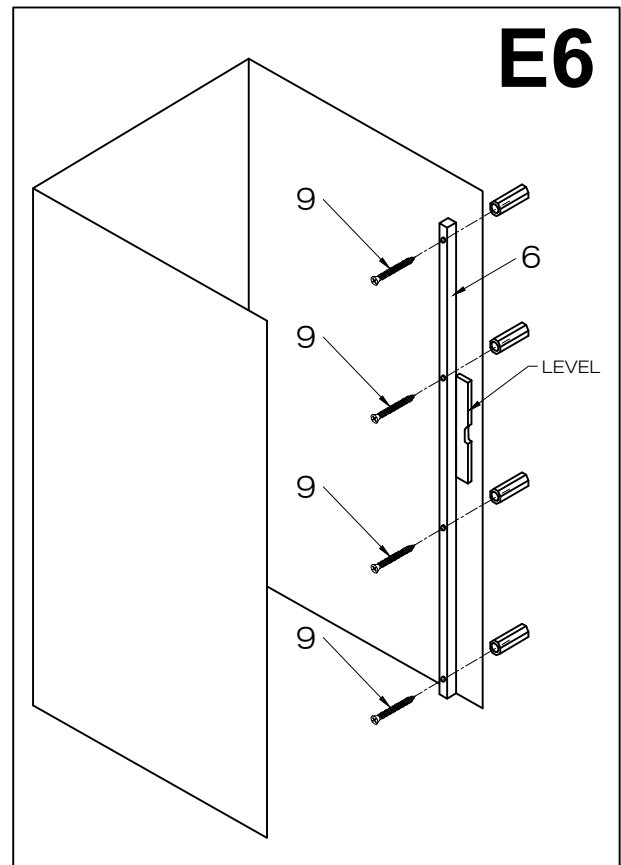
4. Remove the magnetic seal strip (#10) from the vertical track (#6). Hold the vertical track up to the wall where you previously marked and mark the wall through the holes in the vertical track (#6) for installation.



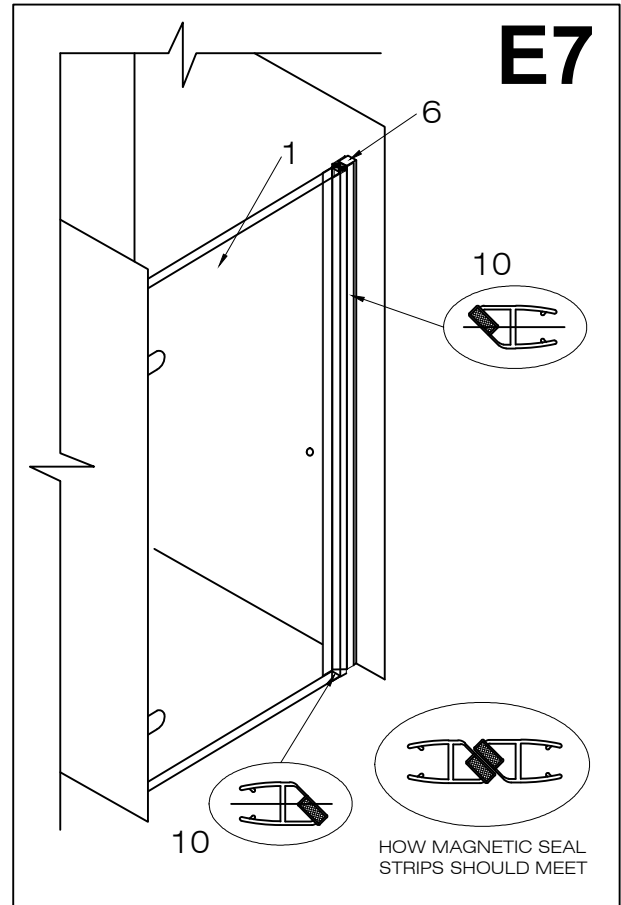
- Remove the vertical track, pre-drill and sink plastic anchors (#11) into the wall. **⚠ Not necessary if installing into studs. Studs are the preferred means of installation, anchors can pull out of the wall causing property damage and bodily harm.**



- Drill the vertical track (#6) to the wall with the 1 1/4" phillips screws (#9), making sure it is level and true.

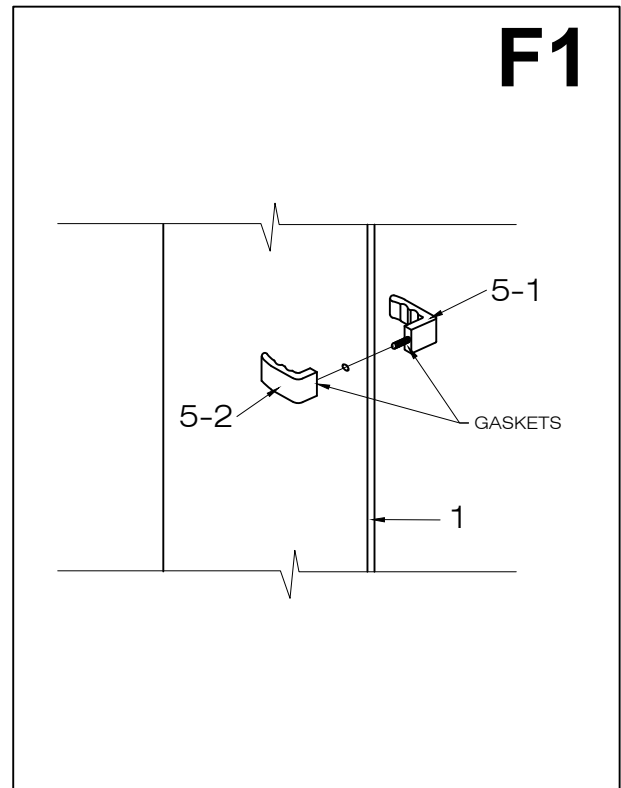


7. Install the magnetic seal strip (#10) back onto the vertical track (#6), making sure that it complements the door magnetic seal strip.



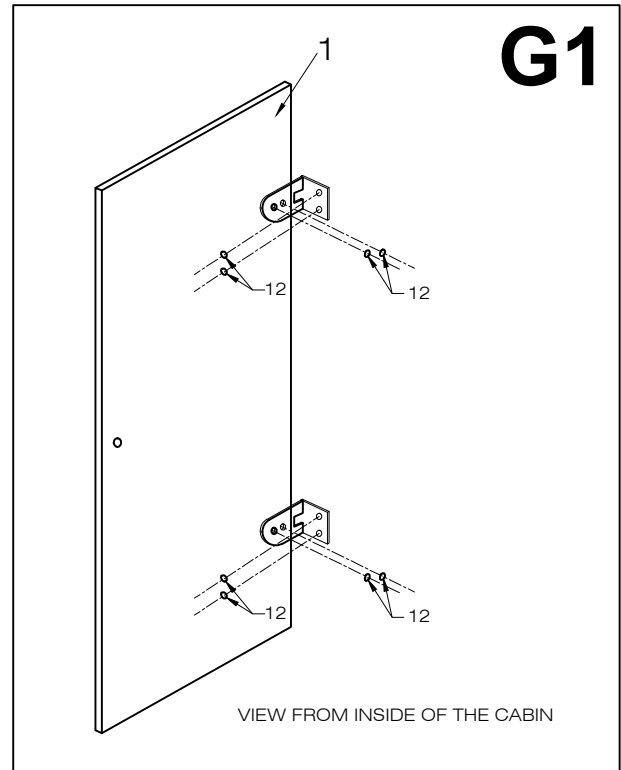
F. HANDLE INSTALLATION

1. Assemble the door handles (#5) to the door (#1). Place the handle with the threaded pin (#5-1) through the hole in the door (#1). From the other side twist the other side of the handle (#5-2) to the threaded pin clockwise until tightened. If handle 5-2, after tightening, is not in the required position, you can loosen handle 5-1 to adjust from both sides until you reach the correct position for the handle.



G. INSTALLING COVERS

1. Install screw covers (#12) to the hinges.



⚠ IMPORTANT

- WAIT 24 HOURS BEFORE USING SHOWER
- DO NOT ALLOW WATER TO DIRECTLY HIT DOOR SEAL STRIPS.

CLEANING INSTRUCTIONS FOR THE SHOWER CABIN

1. Use a mild liquid household cleaner to keep metal surfaces bright and clean. Rinse well and dry with a soft, clean cloth.
2. Remove dust with a soft, damp cloth.
3. Use a standard household window cleaner to clean the glass panels.
4. A water beading treatment, similar to what you would use on an automobile windshield, can be used on the inside of the glass to keep it looking brand new.
5. Use rubbing alcohol to clean and remove grease, oil, paint and ink.
6. Should you accidentally scratch or stain your shower enclosure, use a liquid automobile polish to remove.

⚠ IMPORTANT

1. DO NOT use abrasive cleaners, scrapers, metal brushes or any items that could scratch or dull the surface.
2. DO NOT allow surface to come in contact with acetone (nail polish remover), dry cleaning solution, lacquer thinner, gasoline or other similar products.

REGULAR CARE AND MAINTENANCE OF YOUR VIGO SHOWER ENCLOSURE

Your home is a moving entity, shifting and settling over time. Vigo understands this and has designed their shower enclosures with this in mind. It is the responsibility of the homeowner or end user to maintain the integrity of their newly installed enclosure, using the integrated adjustability features. In order to keep your shower enclosure in optimal working condition, Vigo recommends regularly inspecting your enclosure and tightening any hardware that may have loosened during use. This simple step will insure optimal results from your Vigo shower enclosure for many years to come.

VIGO INDUSTRIES, LLC ("VIGO")
SHOWER ENCLOSURE LIMITED LIFETIME WARRANTY

EFFECTIVE JANUARY 1, 2010

VIGO offers the following limited warranty on each of its Shower Enclosure products* (the "Product") and the components thereof. This warranty extends only to the original owner or end-user for personal household use. For commercial uses, additional limitations apply.

VIGO warrants the structural glass component of the Product to be free from defects in workmanship and materials under normal use and service for the period commencing from the initial date of purchase by the owner or end-user, contractor, or builder, from VIGO or an authorized VIGO dealer, through the lifetime of the original owner or end-user.

VIGO warrants the hardware components of the Product to be free from defects in workmanship and materials under normal use and service for a period of two (2) years from the initial date of purchase by the owner or end-user, contractor, or builder, from VIGO or an authorized VIGO dealer.

VIGO warrants the seal strip components of the Product to be free from defects in workmanship and materials under normal use and service for a period of one (1) year from the initial date of purchase by the owner or end-user, contractor, or builder, from VIGO or an authorized VIGO dealer.

Subject to the Warranty Service provision below, any product reported to the authorized dealer or to VIGO as being defective within the warranty period will be repaired or replaced (with a product of equal value) at the option of VIGO. This warranty extends to the original owner or end-user and is not transferable to a subsequent owner.

Neither the distributor, authorized VIGO dealer, nor any other person has been authorized to make any affirmation, representation, or warranty other than those contained in this warranty. Any affirmation, representation, or warranty other than those contained in this warranty shall not be enforceable against VIGO or any other person.

VIGO reserves the right to modify this warranty at any time, it being understood that such modifications will not alter the warranty conditions applicable at the time of sale of the products in question.

Limitations

This warranty shall not apply to instances of incorrect operating procedures, breakages, or damages caused by fault through improper installation, carelessness, abuse, misuse, misapplication, improper maintenance, or alteration of the Product, as well as chemical or natural corrosion, accident, fire, flood, an act of God, or any other casualty. Avoid abrasive cleaners, steel wools, and harsh chemicals as these will scratch, damage, and / or dull the product and / or finish and void this warranty. The owner/end-user of the Product covered by the present warranty is entirely responsible for its proper installation and any applicable plumbing or electrical wiring. VIGO neither installs nor supervises the installation nor hires a contractor for this purpose; consequently, VIGO cannot be held responsible for any default, breakage, or damages caused thereby or resulting thereof, either directly or indirectly.

The owner/end-user must provide access to the components of the Product as described in the installation guide so that VIGO can execute the warranty specified herein. If such access is not available, all expenses to provide said access will be the responsibility of the owner/end-user.

This warranty does not apply to Products that have not been installed or operated in accordance with instructions supplied by VIGO and all applicable rules, regulations, and legislation pertaining to such installations.

This warranty does not apply unless the VIGO Product is installed by fully insured licensed professionals. VIGO strongly recommends that such licensed professionals have experience in the installation of bathroom and kitchen products. Installation of certain products, including, without limitation, glass products (i.e., shower doors and glass sinks) by an inexperienced person may result in glass breakage and, consequently, cause personal injury or death.

VIGO is not liable for personal injuries or deaths to any persons or for any direct, special, incidental, or consequential damage, loss of time, loss of profits, inconvenience, incidental expenses, labor or material charges, or any other costs resulting from the use of the product or equipment or pertaining to the application of the present warranty, or resulting from the removal or replacement of any product or element or part covered by this warranty.

EXCEPT AS OTHERWISE PROVIDED ABOVE, VIGO MAKES NO WARRANTIES, EXPRESSED OR IMPLIED, INCLUDING WARRANTIES OF MERCHANTABILITY AND FITNESS FOR A PARTICULAR PURPOSE OR COMPLIANCE WITH ANY CODE.

In any case, VIGO cannot be held liable for any amount over and above the purchase price paid for the Product by the owner/end-user, contractor, or builder.

Commercial Limitations

In addition to the above conditions and limitations, the warranty period for products installed for commercial applications or used in commercial ventures is one (1) year from the initial date of purchase by the owner/end-user, contractor, or builder from an authorized dealer. VIGO is not responsible for loss of use or profit under any circumstances. If the product is used as a display, the warranty period begins when the product is placed on display. This warranty gives the owner/end-user specific legal rights. The owner/end-user may also have other rights which can vary from one state or province to another.

Warranty Service

In order to obtain service provided under this warranty during regular business hours, contact the dealer or distributor who sold the unit, or contact VIGO directly. VIGO will provide the warranty service described above when the following conditions have been met: the failure is of the nature or type covered by the warranty; the user has informed an authorized VIGO Agent or VIGO's warranty service department representative of the nature of the problem during the warranty period; conclusive evidence (e.g., proof of purchase or installation) is provided to the foregoing by the user proving that the failure occurred or was discovered within the warranty period; an authorized independent service person or company representative has been permitted to inspect the product during regular business hours within a reasonable time after the problem was reported by the user. VIGO's warranty obligation shall be discharged upon tender of replacement or repair. The customer's refusal to accept the tender terminates VIGO's warranty obligations.

*Certain models are pending approval.

Certification may be ended by VIGO or certification agencies without notice.