

Spare tire Installation for Kit trailer

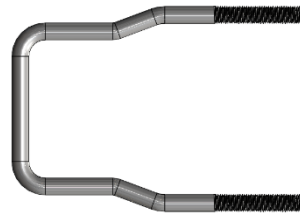
Step 1: Spare Tire (500841), U bolt tire holder (500913), tire cover blue Stirling (500959) and 7/16-20 X 3/4 hex wheel nut (501045) are required for installation.

Step 2: Mount U bolt tire holder (500913) on tongue channel. Place spare tire (500866) on top of U bolt tire holder (500913) and tighten both nuts (501045).

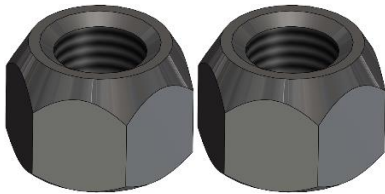
Step 3: Put tire cover (500959) on top of spare tire (500866).



ITEM# 1 SPARE TIRE
(500841) – 1 PC



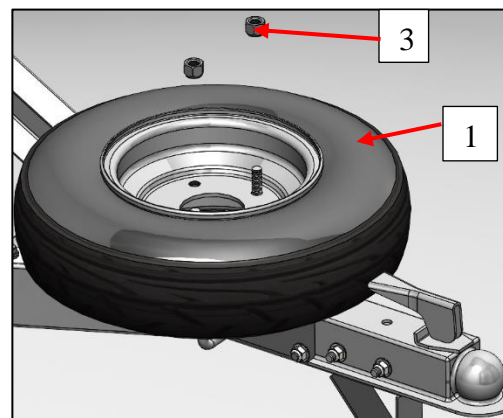
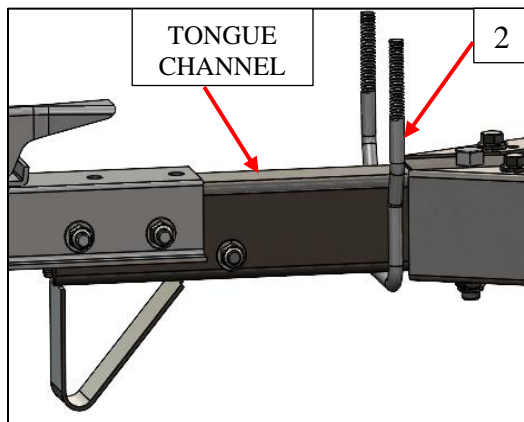
ITEM# 2 U BOLT TIRE
HOLDER (500913)– 1 PC



ITEM# 3 7/16-20 X 3/4 WHEEL
NUTS (501045) – 2 PCS



ITEM# 4 TIRE COVER BLUE
STIRLING (500959) – 1 PC



FINAL
ASSEMBLY
VIEW

Spare tire Installation for Kit trailer

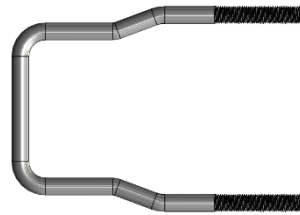
Step 1: Spare Tire (500841), U bolt tire holder (500913), tire cover blue Stirling (500959) and 7/16-20 X 3/4 hex wheel nut (501045) are required for installation.

Step 2: Mount U bolt tire holder (500913) on tongue channel. Place spare tire (500866) on top of U bolt tire holder (500913) and tighten both nuts (501045).

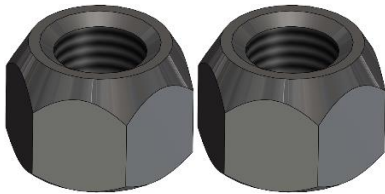
Step 3: Put tire cover (500959) on top of spare tire (500866).



ITEM# 1 SPARE TIRE
(500841) – 1 PC



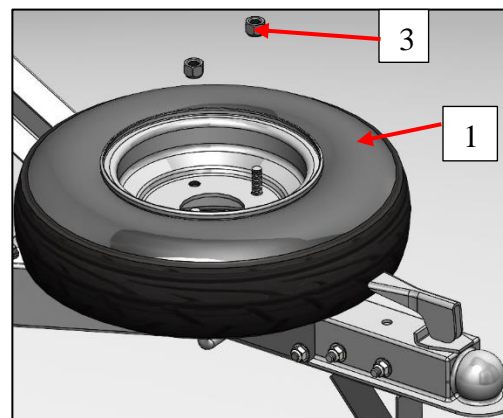
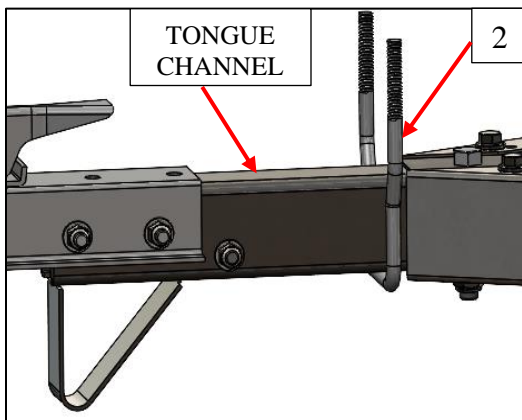
ITEM# 2 U BOLT TIRE
HOLDER (500913)– 1 PC



ITEM# 3 7/16-20 X 3/4 WHEEL
NUTS (501045) – 2 PCS



ITEM# 4 TIRE COVER BLUE
STIRLING (500959) – 1 PC



FINAL
ASSEMBLY
VIEW

Spare tire Installation for Kit trailer

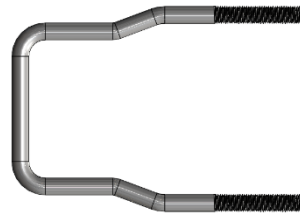
Step 1: Spare Tire (500841), U bolt tire holder (500913), tire cover blue Stirling (500959) and 7/16-20 X 3/4 hex wheel nut (501045) are required for installation.

Step 2: Mount U bolt tire holder (500913) on tongue channel. Place spare tire (500866) on top of U bolt tire holder (500913) and tighten both nuts (501045).

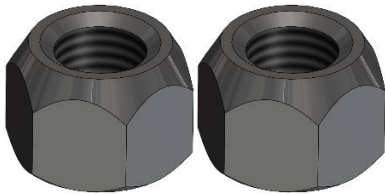
Step 3: Put tire cover (500959) on top of spare tire (500866).



ITEM# 1 SPARE TIRE
(500841) – 1 PC



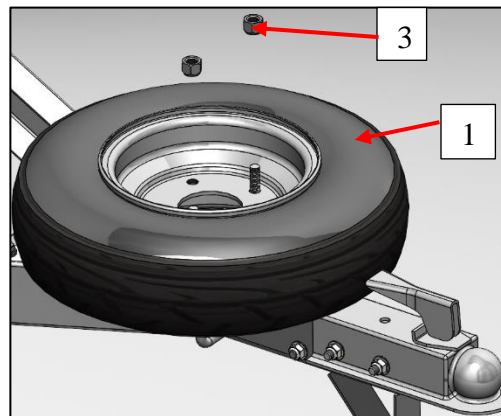
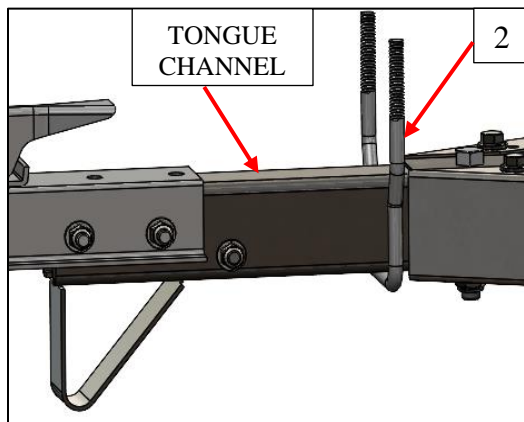
ITEM# 2 U BOLT TIRE
HOLDER (500913)– 1 PC



ITEM# 3 7/16-20 X 3/4 WHEEL
NUTS (501045) – 2 PCS



ITEM# 4 TIRE COVER BLUE
STIRLING (500959) – 1 PC



FINAL
ASSEMBLY
VIEW

Spare tire Installation for Boat trailer

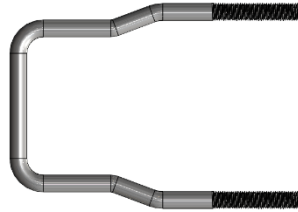
Step 1: Spare Tire (500866), U bolt tire holder (500913), tire cover blue Stirling (500959) and 7/16-20 X 3/4 hex wheel nut (501045) are required for installation.

Step 2: Mount U bolt tire holder (500913) on tongue channel. Place spare tire (500866) on top of U bolt tire holder (500913) and tighten both nuts (501045).

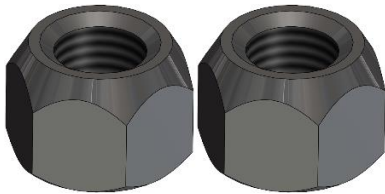
Step 3: Put tire cover (500959) on top of spare tire (500866).



ITEM# 1 SPARE TIRE
(500866) – 1 PC



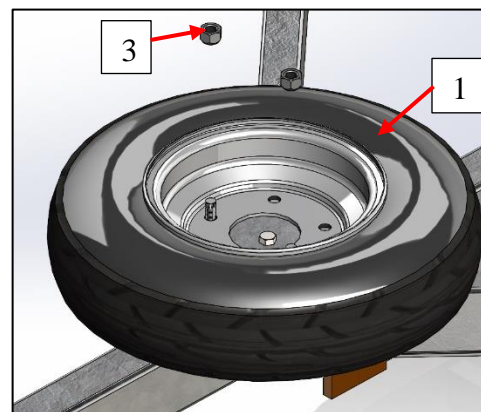
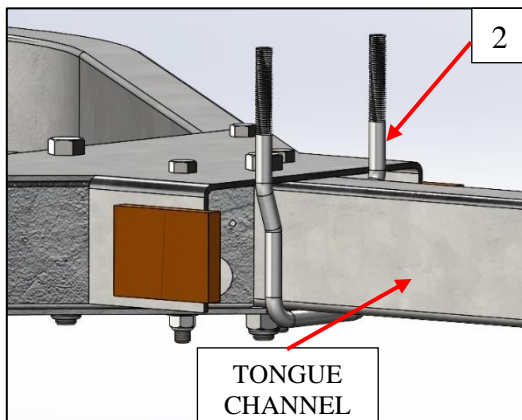
ITEM# 2 U BOLT TIRE
HOLDER (500913)– 1 PC



ITEM# 3 7/16-20 X 3/4 WHEEL
NUTS (501045) – 2 PCS



ITEM# 4 TIRE COVER BLUE
STIRLING (500959) – 1 PC



FINAL
ASSEMBLY
VIEW

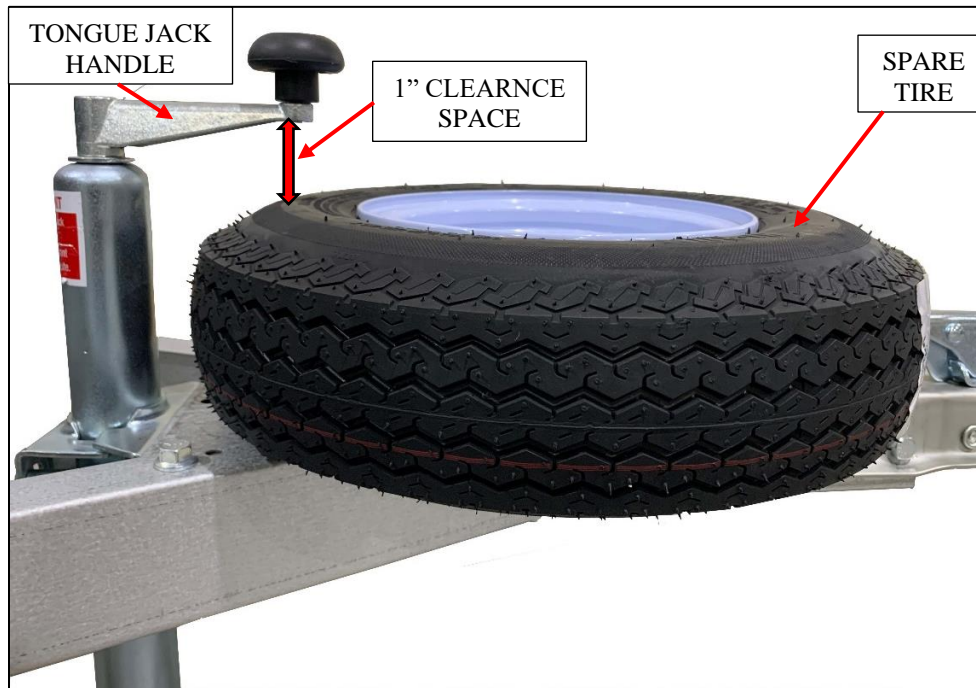
Spare tire installation with Tongue Jack and without extension tongue

*****Follow the below instruction first before installing spare tire mount on tongue channel*****

Step 1: Lift your tongue jack above from the initial position. Set tongue jack handle 1" above from spare tire top surface.

Step 2: Install a spare tire holder on the tongue. It will give good clearance to rotate the tongue jack and have enough travel to level up a trailer.

NOTE: For the 12" spare tire, if the tongue jack is installed on the trailer, then install a tongue jack on the tongue channel. Need to drill 4 holes in the tongue channel for a tongue jack.



FINAL
ASSEMBLY VIEW